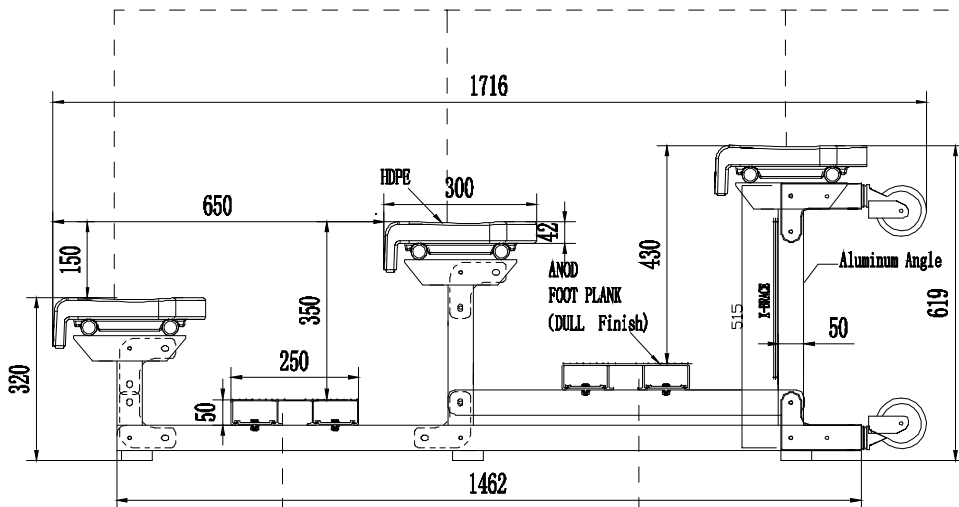


Size table	S	M	L	XL
Row Spacing	650mm	700mm	750mm	800mm
	√			



Side view AA

UNIT:mm

Seat model optional

SEAT PLANK		Live Load	advice	choose
1	300*50*100 Aluminum alloy	2.13kn/m ²	★★★	
2	291*50*2 Aluminum alloy	1.98kn/m ²	★★★★	
3	250*50*2 Aluminum alloy	1.77kn/m ²	★★★★	
4	250*38*2 Aluminum alloy	1.01kn/m ²	No	
5	300*450*100 HDPE	1.78kn/m ²	★★	
6	410*417*175 HDPE	1.78kn/m ²	No	
7	450*410*330 HDPE	1.78kn/m ²	No	

FOOT PLANK	1	2	3	4
	397*50*2 Aluminum alloy	291*50*2 Aluminum alloy	250*50*2 Aluminum alloy	250*38*2 Aluminum alloy
Live Load	2.81kn/m ²	2.06kn/m ²	1.77kn/m ²	1.01kn/m ²
advice	★★	★★★★	★★★★	No

Mountain bleacher

SCALE 1:100 <http://www.mountainbleacher.com>

DATE 2020/7/27 <https://www.mountainbleacher.com>

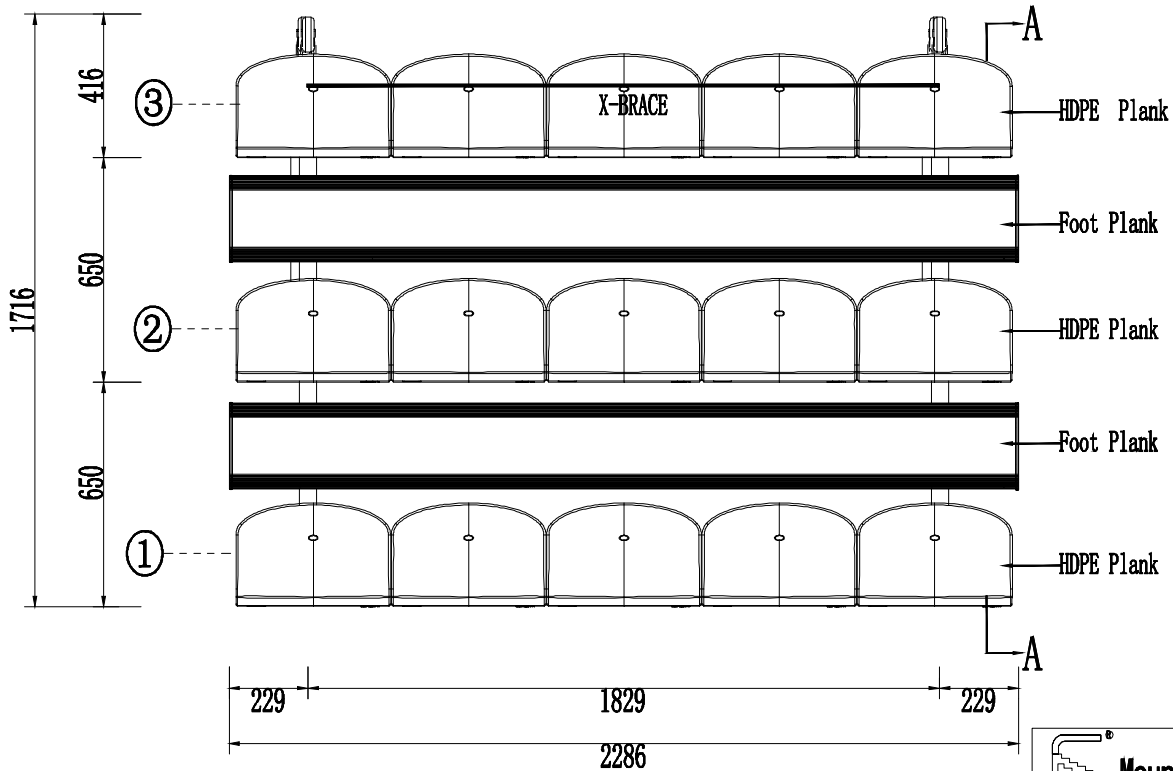
DESIGN Mr. Lau <http://www.mountainbleacher.com>

DRAWN Mr. Cheung Tel: 00861887922225, 008615070297138

FILE E-mail: dong@mountainbleacher.com

1

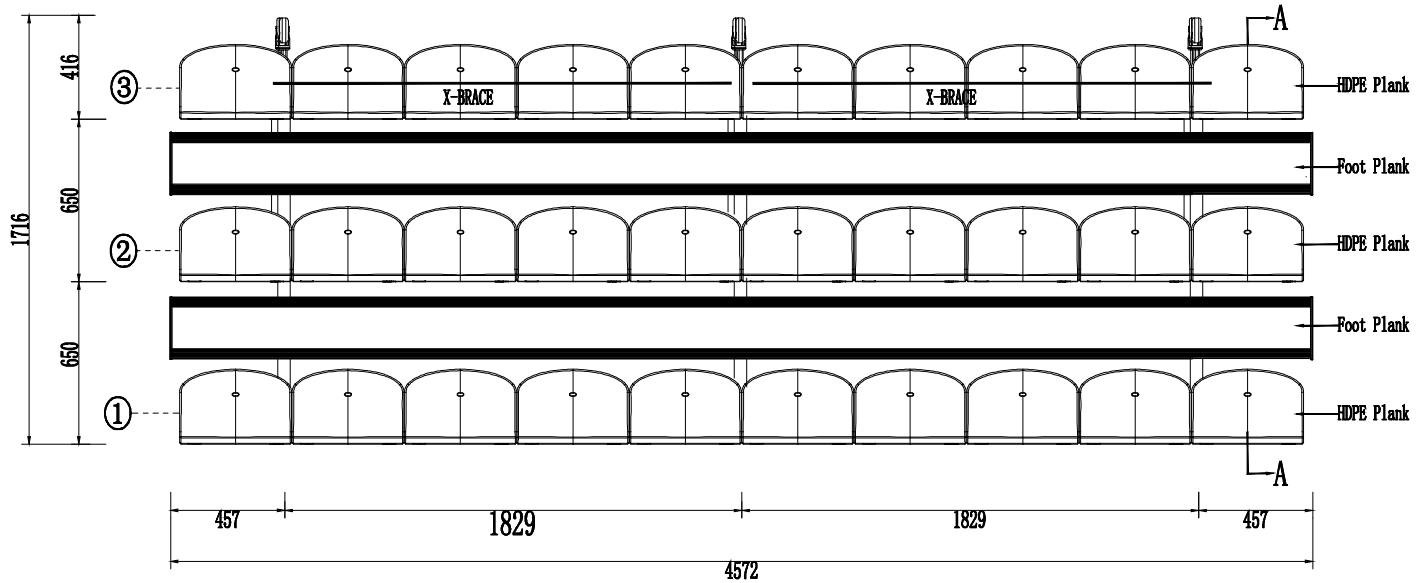
Size table	S	M	L	XL
Row Spacing	650mm	700mm	750mm	800mm
	√			



SEATING PLAN

 Mountain bleacher	
SCALE: 1:100	http://www.mchair.com
DATE: 2020/1/21	https://www.mountainbleacher.com
DESIGN: Mr. Lan	Tel: 008615070297198 / 008618879222225
DRAW: Mr. Cheung	E-mail: dong@mountainbleacher.com
TITLE:	1/1

Size table	S	M	L	XL
Row Spacing	650mm	700mm	750mm	800mm
	↓			



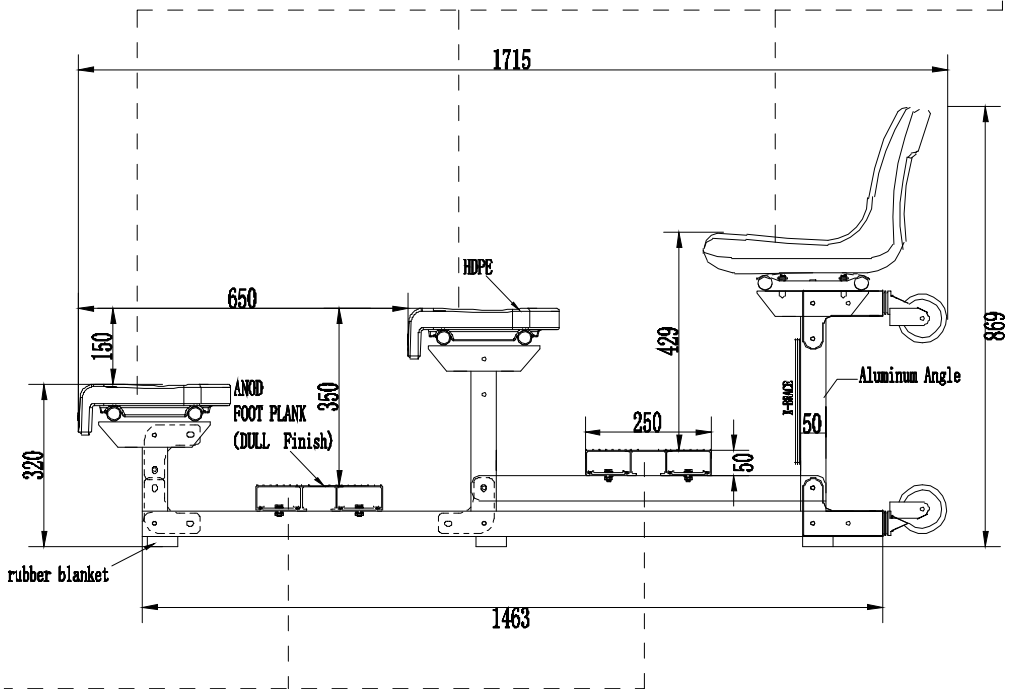
SEATING PLAN

 Mountain bleacher		
SCALE	1:100	http://www.mohair.com
DATE	2020/7/27	https://www.mountainbleacher.com
DESIGN	Mr. Lau	Tel: 008615070297138 / 00861867922225
CHECK	Mr. Chung	E-mail: dorg@mountainbleacher.com
TITLE		NO. 1

Size table	S	M	L	XL
Row Spacing	650mm	700mm	750mm	800mm
	√			

Seat model optional

SEAT PLANK		Live Load	advice	choose
1	300*50*2 Aluminun alloy	2.13 kn/m ²	★★★★	
2	291*50*2 Aluminun alloy	1.98 kn/m ²	★★★★	
3	250*50*2 Aluminun alloy	1.77 kn/m ²	★★★★	
4	250*38*2 Aluminun alloy	1.01 kn/m ²	No	
5	300*450*100 HDPE	1.76 kn/m ²	★★	
6	410*417*175 HDPE	1.76 kn/m ²	No	
7	450*410*330 HDPE	1.76 kn/m ²	No	



Side view AA

UNIT:mm

FOOT PLANK	1	2	3	4
	397*50*2 Aluminun alloy	291*50*2 Aluminun alloy	250*50*2 Aluminun alloy	250*38*2 Aluminun alloy
Live Load	2.81 kn/m ²	2.06 kn/m ²	1.77 kn/m ²	1.01 kn/m ²
advice	★★	★★★★	★★★★	No

Mountain bleacher

SCALE 1:100 <http://www.mountainbleacher.com>

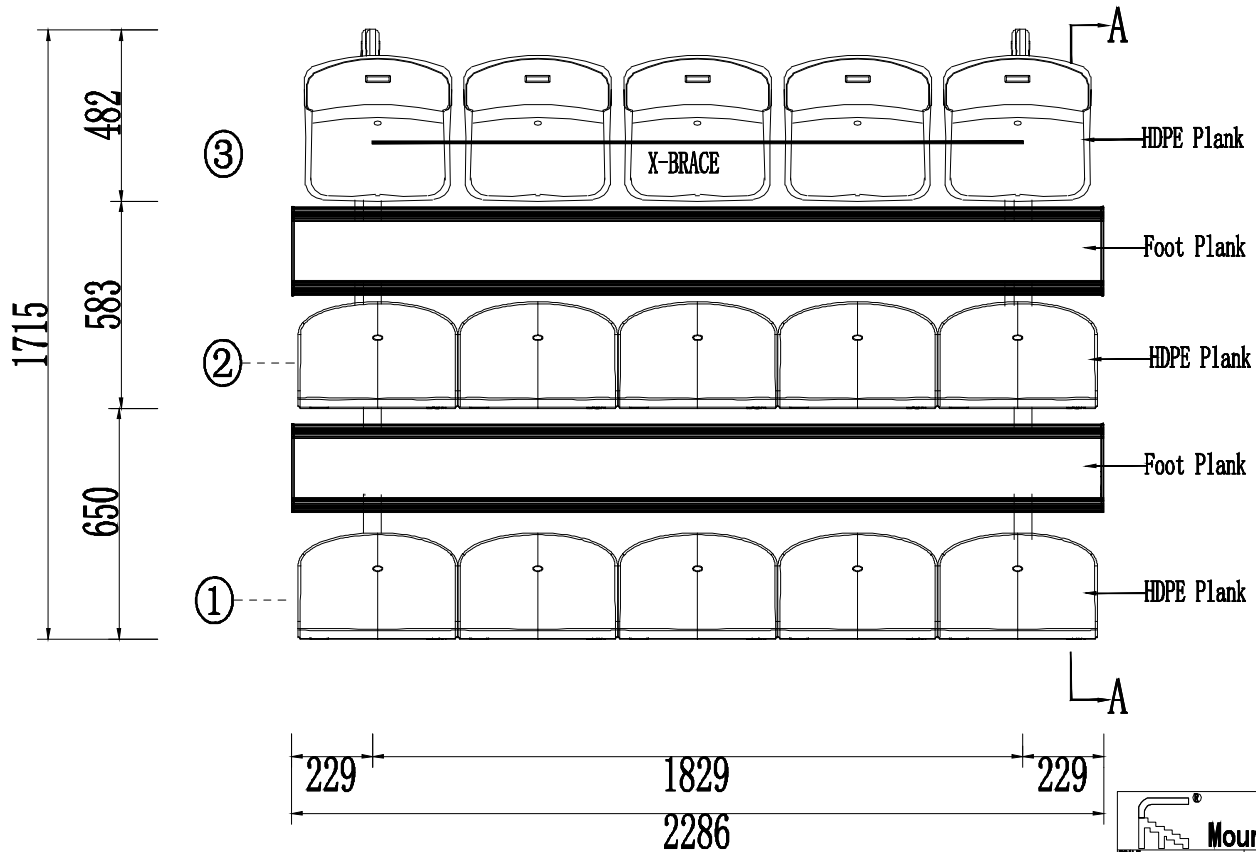
DATE 2020/7/27 <http://www.mountainbleacher.com>

DESIGN Mr. Lam TEL: 00861867922225, 008615070297138

DRAWN Mr. Chang E-mail: dong@mountainbleacher.com

TITLE _____ No. 1

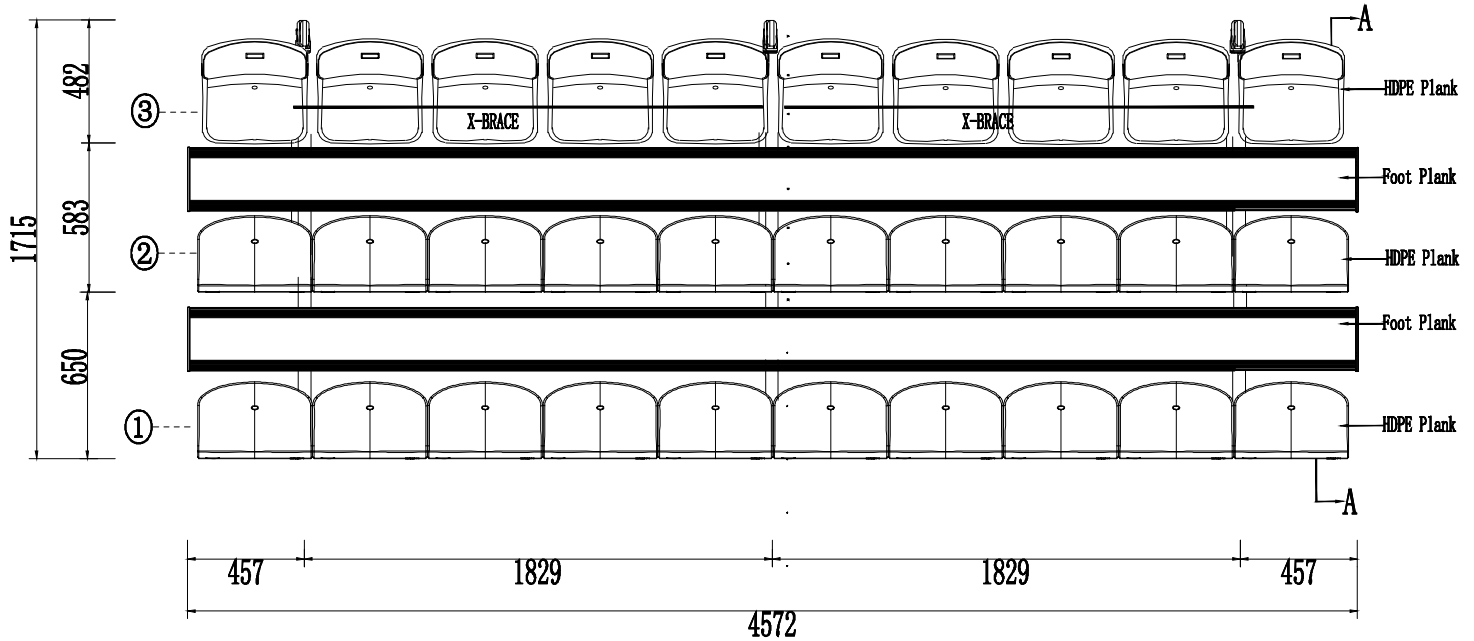
Size table	S	M	L	XL
Row Spacing	650mm	700mm	750mm	800mm
	√			



SEATING PLAN

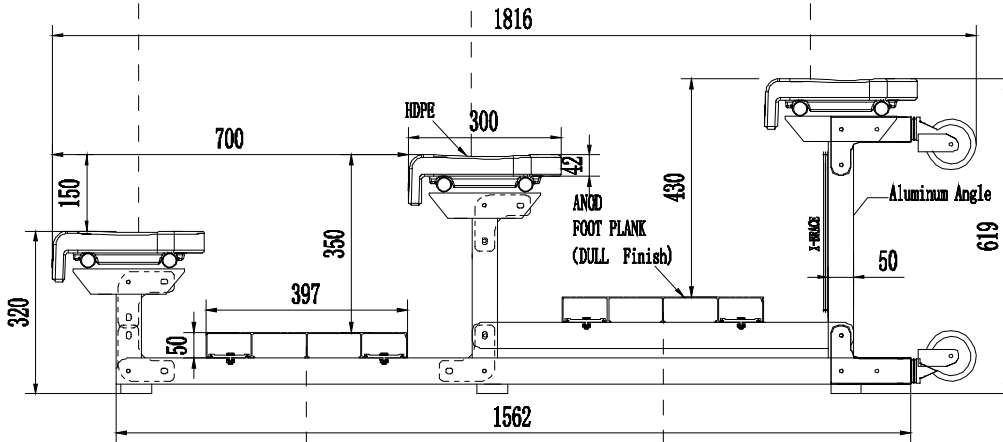
 Mountain bleacher		
SCALE	1:100	http://www.mchair.com
DATE	2020/7/27	https://www.mountainbleacher.com
DESIGN	Mr. Lau	Tel: 008615070297138 / 00861887922225
CHECK	Mr. Cheung	E-mail: dong@mountainbleacher.com
TITLE		NO. 1

Size table	S	M	L	XL
Row Spacing	650mm	700mm	750mm	800mm
	√			



 Mountain bleacher		
SCALE	1:100	http://www.mountainbleacher.com
DATE	2020/1/27	http://www.mountainbleacher.com
DESIGN	Mr. Luo	Tel: 008615070297139 / 00861867922225
CHECK	Mr. Cheng	E-mail: dong@mountainbleacher.com
TITLE		NO. 1

Size table	S	M	L	XL
Row Spacing	650mm	700mm	750mm	800mm
	√			



Side view AA

UNIT:mm

Seat model optional

SEAT PLANK	Live Load	advice	choose
1 300*60*100 Aluminum alloy	2.13 kn/m ²	★★★	
2 291*60*2 Aluminum alloy	1.98 kn/m ²	★★★★★	
3 250*60*2 Aluminum alloy	1.77 kn/m ²	★★★★★	
4 250*38*2 Aluminum alloy	1.01 kn/m ²	No	
5 300*450*100 HDPE	1.76 kn/m ²	★★	
6 410*417*175 HDPE	1.76 kn/m ²	No	
7 450*410*330 HDPE	1.76 kn/m ²	No	

FOOT PLANK	1 397*50*2 Aluminum alloy	2 291*50*2 Aluminum alloy	3 250*50*2 Aluminum alloy	4 250*38*2 Aluminum alloy
Live Load	2.81 kn/m ²	2.06 kn/m ²	1.77 kn/m ²	1.01 kn/m ²
advice choose	★★	★★★★★	★★★★★	No

Mountain bleacher

SCALE 1:100 <http://www.mountainbleacher.com>

DATE 2020/7/27 <https://www.mountainbleacher.com>

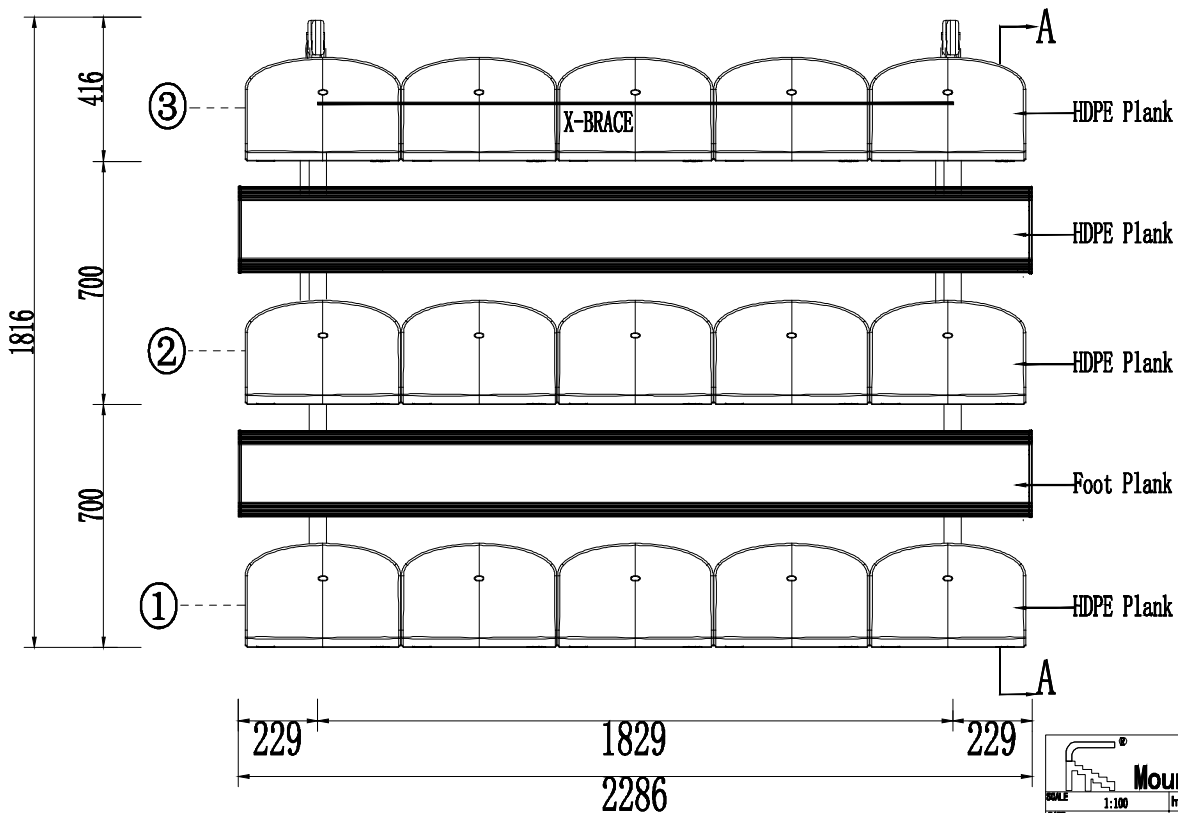
DESIGN Mr. Lan <https://www.mountainbleacher.com>

WORK Mr. Chang Tel: 00861867922225, 008618070297198

TITLE E-mail: dong@mountainbleacher.com

1

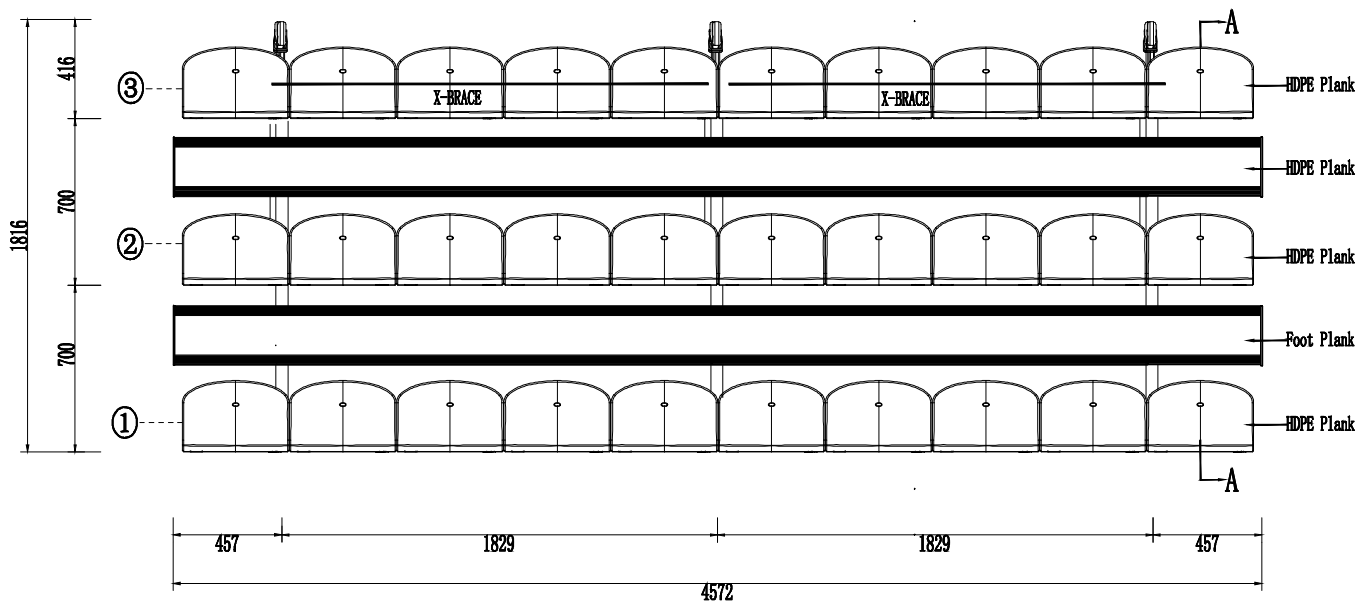
Size table	S	M	L	XL
Row Spacing	650mm	700mm	750mm	800mm
		√		



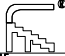
SEATING PLAN

 Mountain bleacher		
SCALE	1:100	http://www.wcochair.com
DATE	2020/7/27	http://www.mountainbleacher.com
DESIGN	Mr. Lan	Tel: 008615070297135 / 008618879222225
DRAW	Mr. Cheng	E-mail: dong@mountainbleacher.com
TITLE		1

Size table	S	M	L	XL
Row Spacing	650mm	700mm	750mm	800mm
		√		



SEATING PLAN

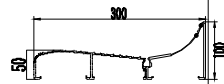
 Mountain bleacher	
SCALE	1:100 http://www.mountainbleacher.com
DATE	2020/7/27 https://www.mountainbleacher.com
DESIGN	Mr. Lou Tel:008615070297138 / 008618879222225
CHECK	Mr. Chang E-mail:dong@mountainbleacher.com
TITLE	1

Size table	S	M	L	XL
Row Spacing	650mm	700mm	750mm	800mm
		√		

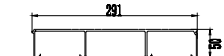
Seat model optional

SEAT PLANK		Live Load	advice	choose
------------	--	-----------	--------	--------

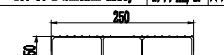
1	300*50*2 Aluminun alloy	2.13 kn/m ²	★★★	
---	-------------------------	------------------------	-----	--




2	291*50*2 Aluminun alloy	1.96 kn/m ²	★★★★	
---	-------------------------	------------------------	------	--



3	250*50*2 Aluminun alloy	1.77 kn/m ²	★★★★	
---	-------------------------	------------------------	------	--




4	250*38*2 Aluminun alloy	1.01 kn/m ²	No	
---	-------------------------	------------------------	----	--



5	300*450*100 HDPE	1.76 kn/m ²	★★	
---	------------------	------------------------	----	--



6	410*410*175 HDPE	1.76 kn/m ²	No	
---	------------------	------------------------	----	--



7	460*410*330 HDPE	1.76 kn/m ²	No	
---	------------------	------------------------	----	--



8	330*410*330 HDPE	1.76 kn/m ²	No	
---	------------------	------------------------	----	--



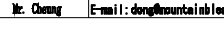
9	330*410*330 HDPE	1.76 kn/m ²	No	
---	------------------	------------------------	----	--



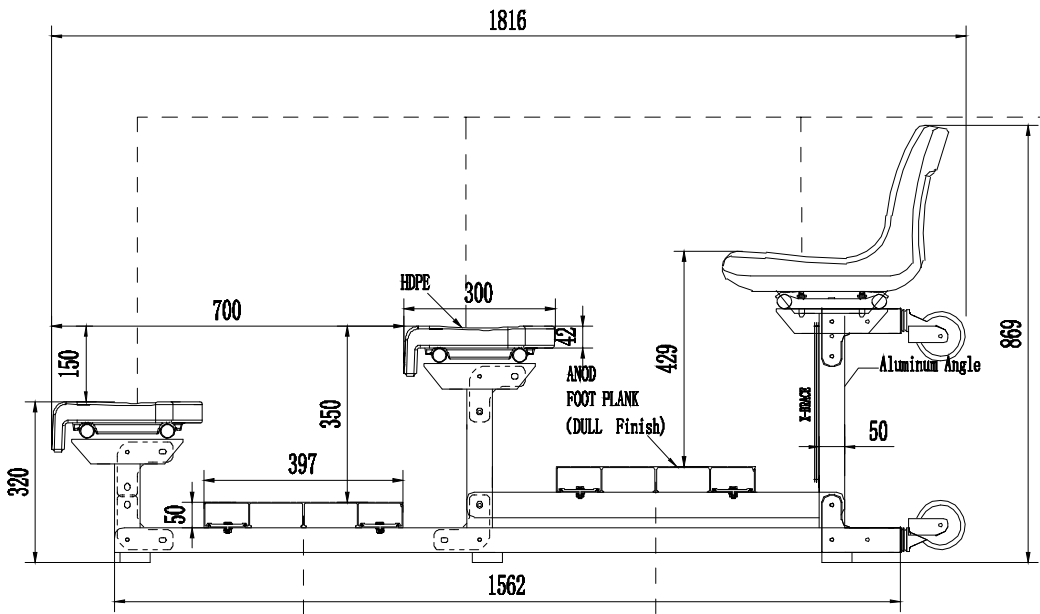
10	330*410*330 HDPE	1.76 kn/m ²	No	
----	------------------	------------------------	----	--



11	330*410*330 HDPE	1.76 kn/m ²	No	
----	------------------	------------------------	----	--

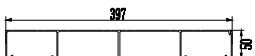
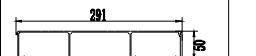
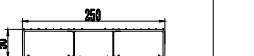
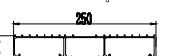


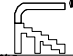
12	330*410*330 HDPE	1.76 kn/m ²	No	
----	------------------	------------------------	----	--

Side view AA

UNIT:mm

FOOT PLANK	1	2	3	4
	397*50*2 Aluminun alloy	291*50*2 Aluminun alloy	250*50*2 Aluminun alloy	250*38*2 Aluminun alloy
				
Live Load	2.81 kn/m ²	2.06 kn/m ²	1.77 kn/m ²	1.01 kn/m ²
advice	★★	★★★★	★★★★	No



Mountain bleacher

SCALE 1:100 <http://www.mchair.com>

DATE 2020/7/27 <https://www.mountainbleacher.com>

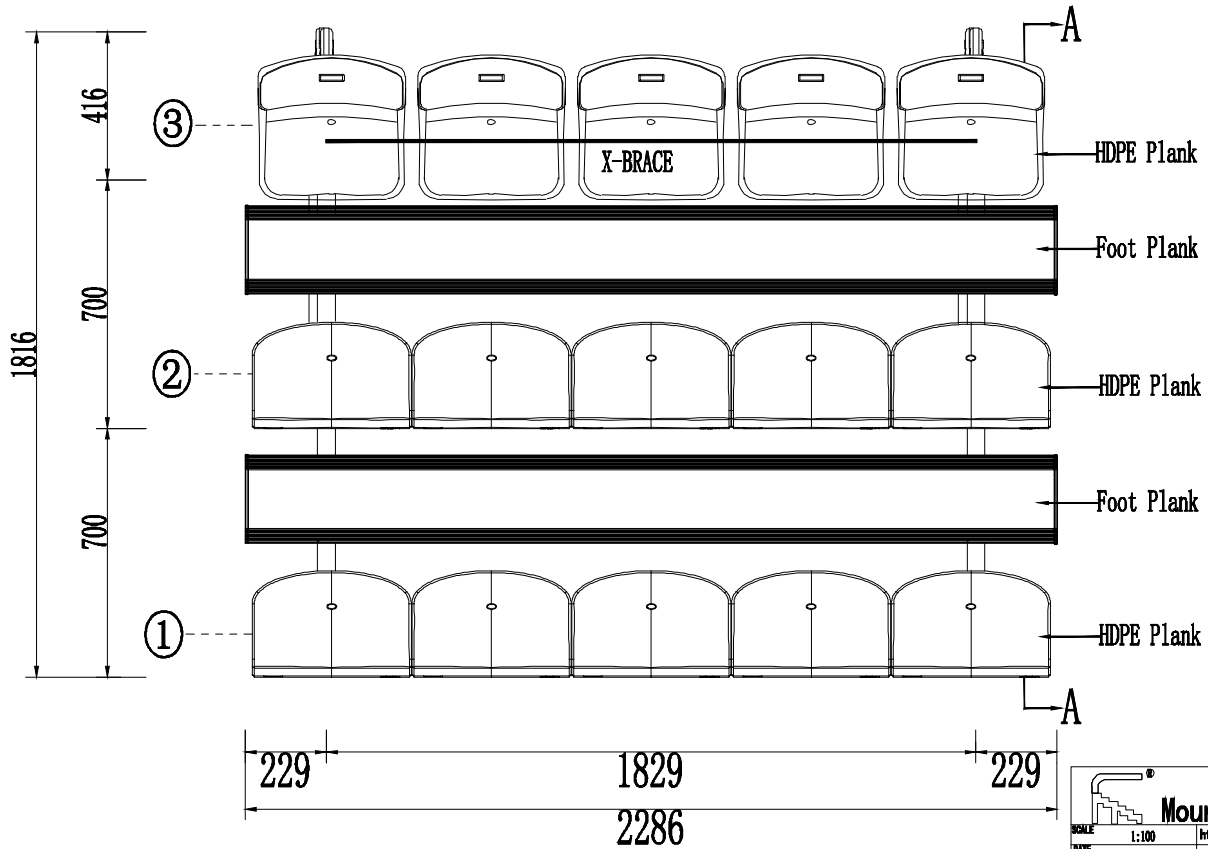
DESIGN Mr. Lian <http://www.mountainbleacher.com>

CHECK Mr. Chenag Tel: 00861887922225, 008615076297138

TITLE E-mail: dong@mountainbleacher.com

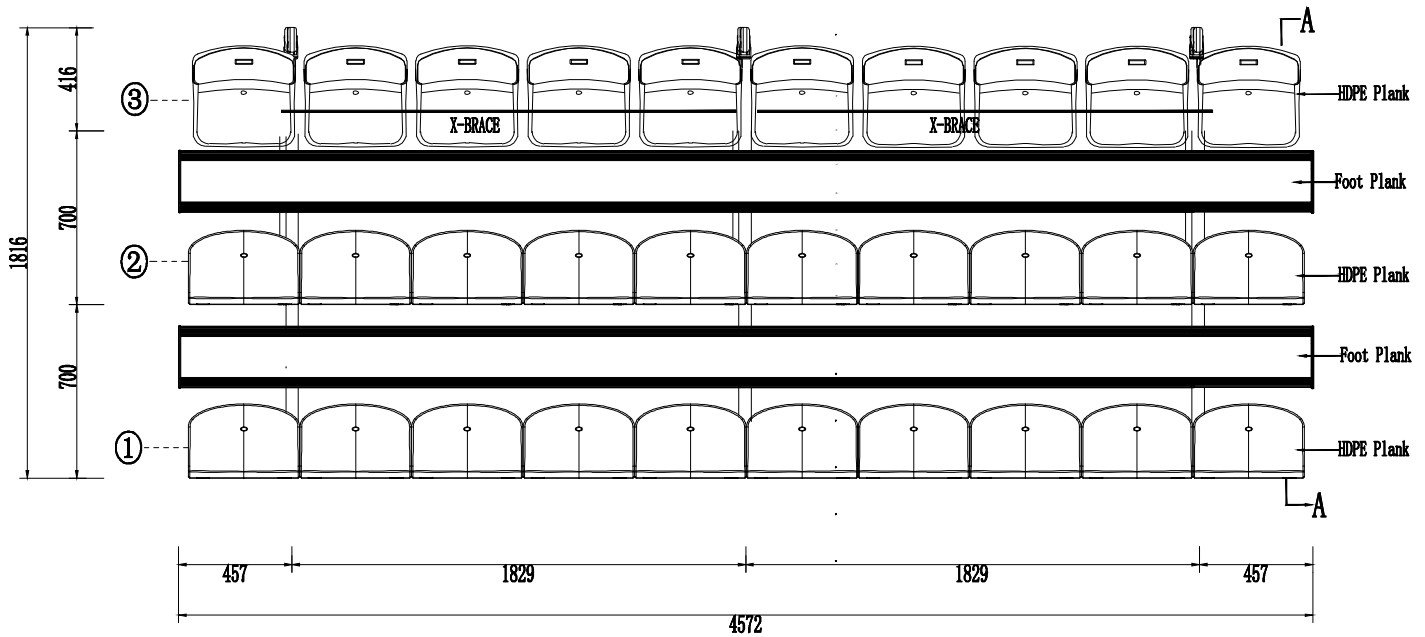
NO. 1

Size table	S	M	L	XL
Row Spacing	650mm	700mm	750mm	800mm
		√		




		Mountain bleacher
SCALE	1:100	http://www.mountainbleacher.com
DATE	2020/7/21	https://www.mountainbleacher.com
DESIGN	Mr. Long	Tel: 008615070297198 / 008619879222225
CHECK	Mr. Cheng	E-mail: dong@mountainbleacher.com
TITLE		NO. 1

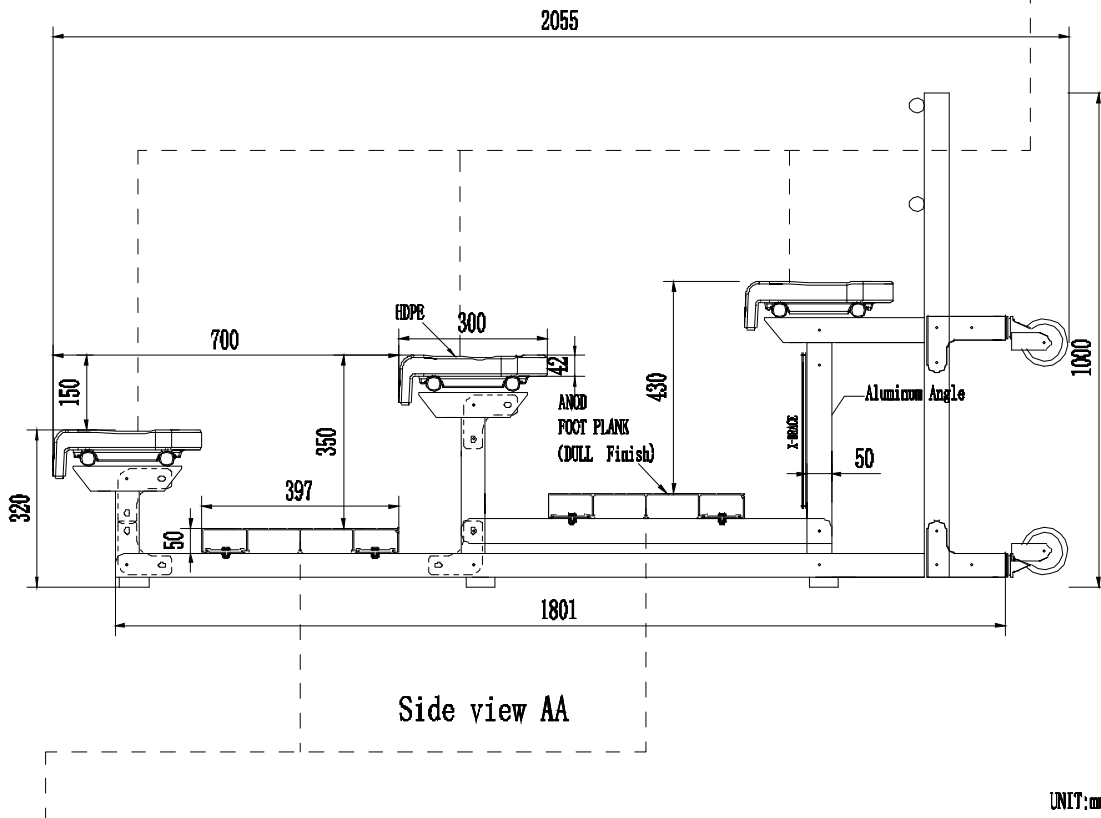
Size table	S	M	L	XL
Row Spacing	650mm	700mm	750mm	800mm
		↓		



SEATING PLAN

 Mountain bleacher		
SCALE	1:100	http://www.mchair.com
DATE	2020/7/27	https://www.mountainbleacher.com
DESIGN	Mr. Liu	Tel: 008615070297138 / 00861867922225
CHECK	Mr. Cheng	E-mail: dong@mountainbleacher.com
TITLE		1

Size table	S	M	L	XL
Row Spacing	650mm	700mm	750mm	800mm
		✓		



Side view AA

UNIT:mm

FOOT PLANK	1	397*50*2 Aluminium alloy	2	291*50*2 Aluminium alloy	3	250*50*2 Aluminium alloy	4	250*38*2 Aluminium alloy
Live Load	2.81kn/m ²		2.06kn/m ²		1.77kn/m ²		1.01kn/m ²	
advice	★★		★★★★		★★★★		No	

Seat model optional

SEAT PLANK		Live Load	advice	choose
1	300*50*100 Aluminium alloy	2.13kn/m ²	★★★	
2	291*60*2 Aluminium alloy	1.98kn/m ²	★★★★	
3	250*50*2 Aluminium alloy	1.77kn/m ²	★★★★	
4	250*38*2 Aluminium alloy	1.01kn/m ²	No	
5	300*450*100 HDPE	1.76kn/m ²	★★	
6	410*417*175 HDPE	1.76kn/m ²	No	
7	450*410*330 HDPE	1.76kn/m ²	No	

Mountain bleacher

SCALE 1:100 <http://www.mountainbleacher.com>

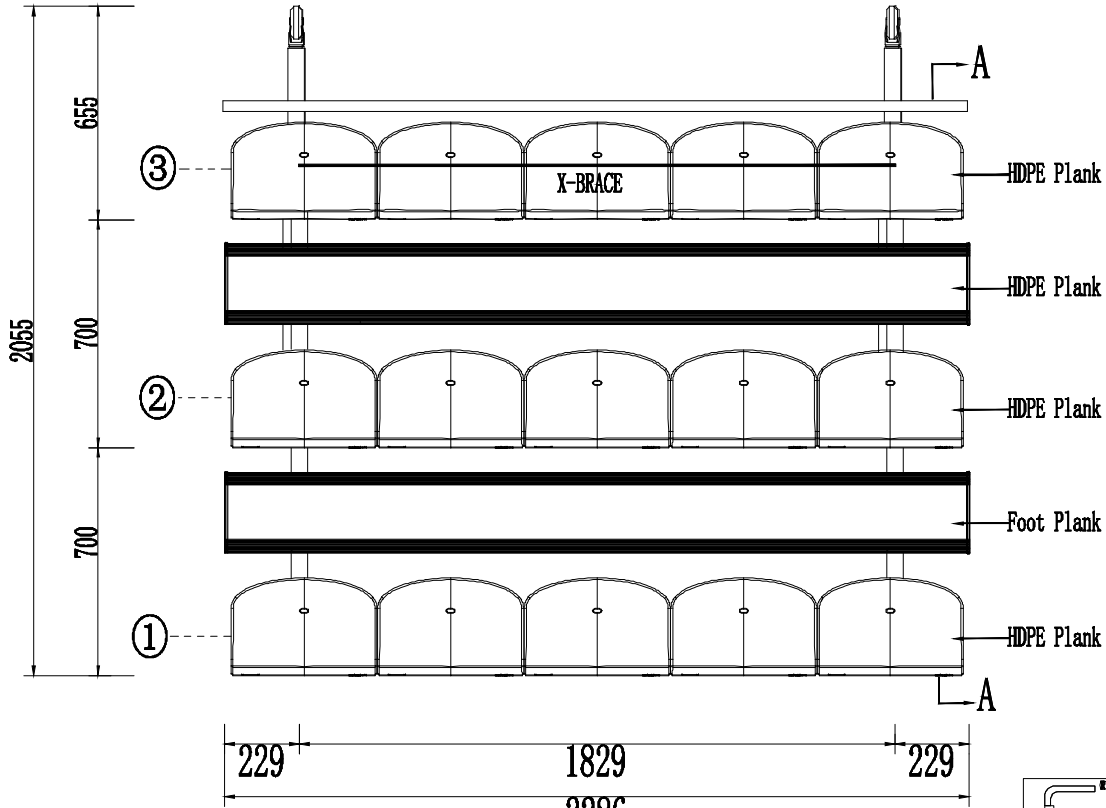
DATE 2009/7/27 <https://www.mountainbleacher.com>

DESIGN Mr. Leo <http://www.mountainbleacher.com>

WORK Mr. Chung E-mail: darg@mountainbleacher.com

TYPE 1

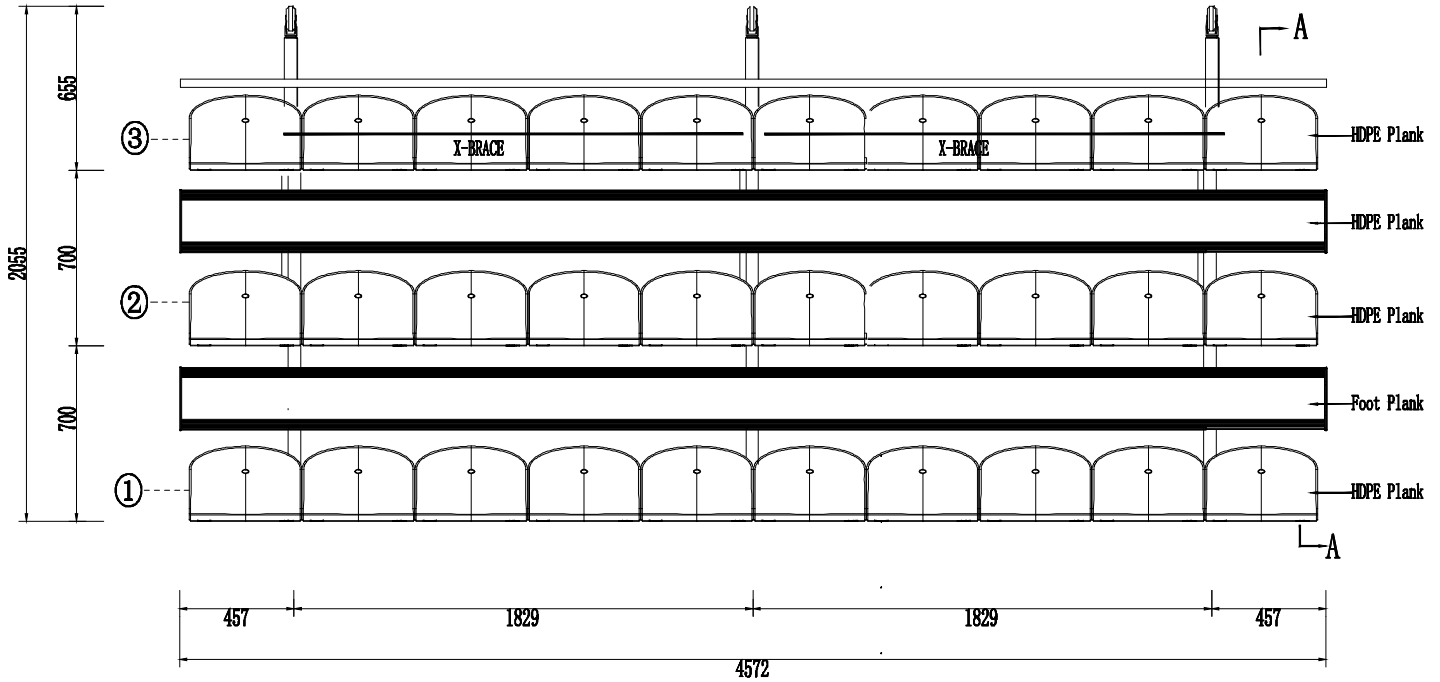
Size table	S	M	L	XL
Row Spacing	650mm	700mm	750mm	800mm
		√		



SEATING PLAN

		Mountain bleacher	
SCALE	1:100	http://www.mchair.com	
DATE	2020/1/23	https://www.mountainbleacher.com	
DESIGN	Mr. Leo	Tel: 008615070297138 / 008619879222225	
CHECK	Mr. Cheung	E-mail: dong@mountainbleacher.com	
TITLE		DL	1

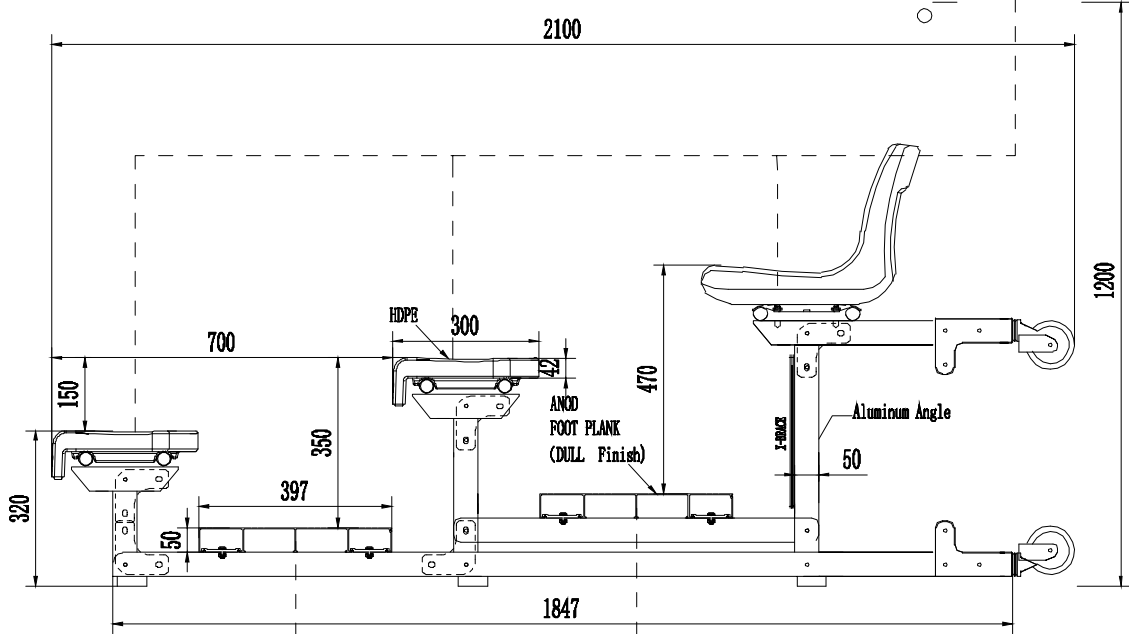
Size table	S	M	L	XL
Row Spacing	650mm	700mm	750mm	800mm
		✓		



SEATING PLAN

 Mountain bleacher		
SCALE	1:100	http://www.mountainbleacher.com
DATE	2020/1/27	https://www.mountainbleacher.com
DESIGN	Mr. Ian	Tel: 008615070297138 / 00861887922225
CHECK	Mr. Cheung	E-mail: dong@mountainbleacher.com
TITLE		NO. 1

Size table	S	M	L	XL
Row Spacing	650mm	700mm	750mm	800mm
		√		



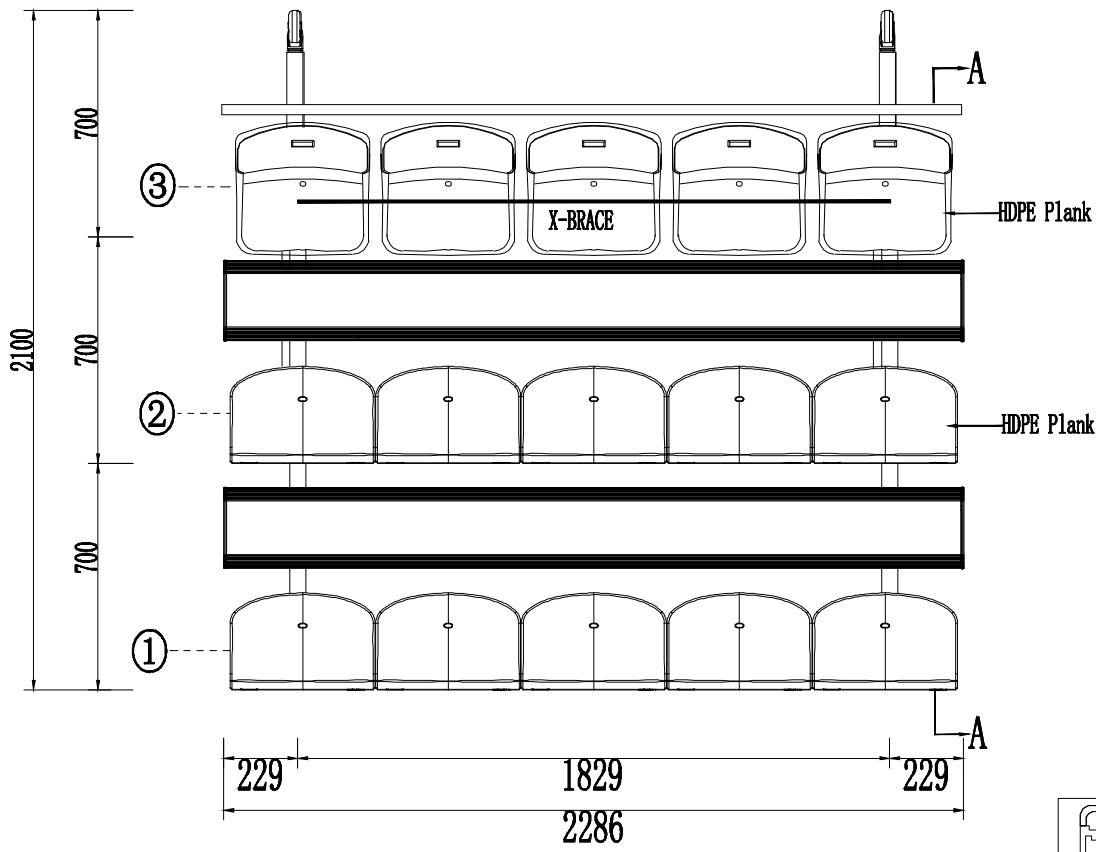
Side view AA

UNIT:mm

Seat model optional			
SEAT PLANK	Live Load	advice/choose	
1 300*50*2 Aluminum alloy	2.13kn/m ²	★★★	
2 291*50*2 Aluminum alloy	1.98kn/m ²	★★★★	
3 250*50*2 Aluminum alloy	1.77kn/m ²	★★★★	
4 250*38*2 Aluminum alloy	1.01kn/m ²	No	
5 300*450*100 HDPE	1.76kn/m ²	★★	
6 410*417*176 HDPE	1.76kn/m ²	No	
7 450*410*330 HDPE	1.76kn/m ²	No	
Mountain bleacher			
SCALE	1:100	http://www.mchair.com	
DATE	2020/7/27	https://www.mountainbleacher.com	
DESIGN	Mr. Lan	Tel: 008618879222226, 008615070297138	
CHECK	Mr. Cheng	E-mail: dong@mountainbleacher.com	
TITLE			No. 1

FOOT PLANK	1	2	3	4
	397*50*2 Aluminum alloy	291*50*2 Aluminum alloy	250*50*2 Aluminum alloy	250*38*2 Aluminum alloy
Live Load	2.81kn/m ²	2.06kn/m ²	1.77kn/m ²	1.01kn/m ²
advice	★★	★★★★	★★★★	No

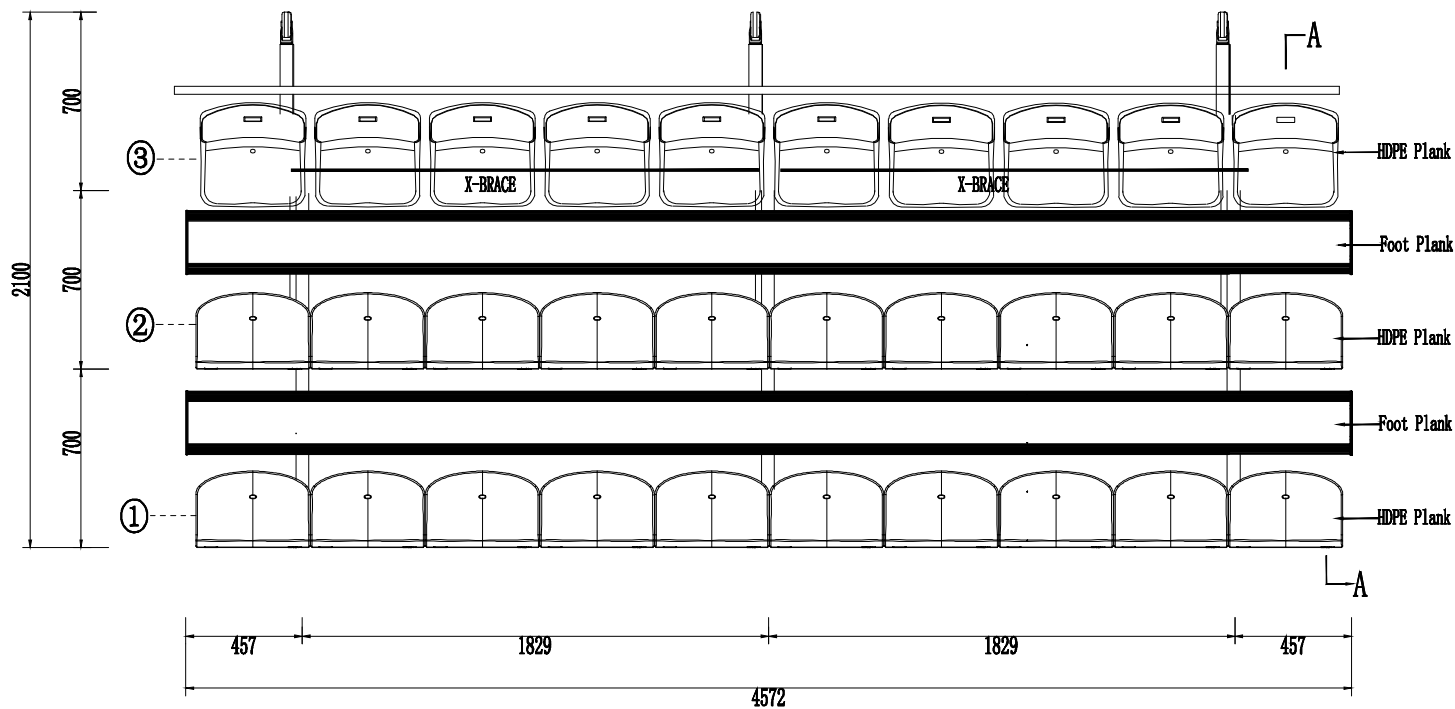
Size table	S	M	L	XL
Row Spacing	650mm	700mm	750mm	800mm
		√		




SEATING PLAN

		Mountain bleacher
SCALE	1:100	http://www.mountainbleacher.com
DATE	2020/11/27	http://www.mountainbleacher.com
DESIGN	Mr. Luo	Tel: 008615070297138 / 00861887922225
CHECK	Mr. Cheng	E-mail: dorg@mountainbleacher.com
TITLE		NO. 1

Size table	S	M	L	XL
Row Spacing	650mm	700mm	750mm	800mm
		√		



SEATING PLAN

 Mountain bleacher		
SCALE	1:100	http://www.mbleacher.com
DATE	2020/7/27	https://www.mountainbleacher.com
DESIGN	Mr. Lau	Tel: 008615070297138 / 008618879222225
CHECK	Mr. Cheung	E-mail: dong@mountainbleacher.com
TITLE		MC 1