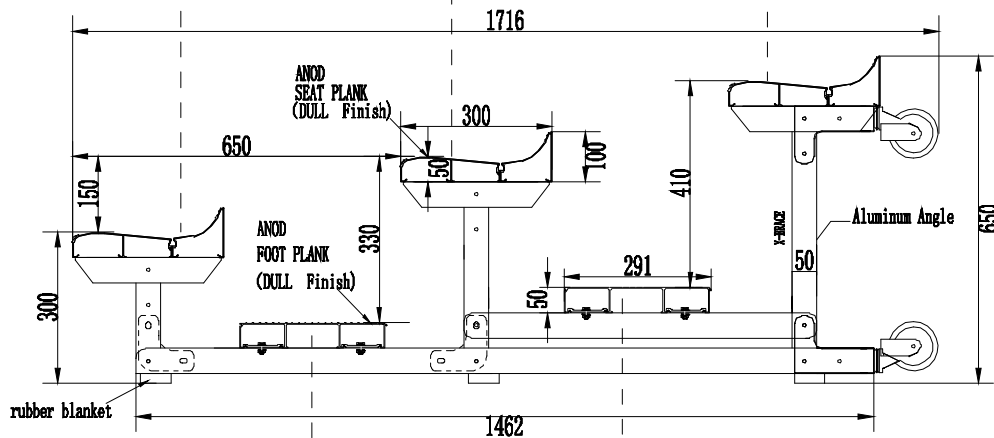


|             |       |       |       |       |
|-------------|-------|-------|-------|-------|
| Size table  | S     | M     | L     | XL    |
| Row Spacing | 650mm | 700mm | 750mm | 800mm |
|             | √     |       |       |       |



Side view AA

UNIT:mm

|               |                        |                         |                        |                         |                        |                         |                        |                         |
|---------------|------------------------|-------------------------|------------------------|-------------------------|------------------------|-------------------------|------------------------|-------------------------|
| FOOT PLANK    | 1                      | 397*50*2 Aluminum alloy | 2                      | 291*50*2 Aluminum alloy | 3                      | 250*50*2 Aluminum alloy | 4                      | 250*38*2 Aluminum alloy |
|               |                        |                         |                        |                         |                        |                         |                        |                         |
| Live Load     | 2.81 kn/m <sup>2</sup> |                         | 2.06 kn/m <sup>2</sup> |                         | 1.77 kn/m <sup>2</sup> |                         | 1.01 kn/m <sup>2</sup> |                         |
| advice choose | ★★                     |                         | ★★★★                   |                         | ★★★★                   |                         | No                     |                         |

Seat model optional

|   | SEAT PLANK                | Live Load              | advice | choose |
|---|---------------------------|------------------------|--------|--------|
| 1 | 300*60*100 Aluminum alloy | 2.13 kn/m <sup>2</sup> | ★★★    |        |
|   |                           |                        |        |        |
| 2 | 291*60*2 Aluminum alloy   | 1.98 kn/m <sup>2</sup> | ★★★★   |        |
|   |                           |                        |        |        |
| 3 | 250*60*2 Aluminum alloy   | 1.77 kn/m <sup>2</sup> | ★★★★   |        |
|   |                           |                        |        |        |
| 4 | 250*38*2 Aluminum alloy   | 1.01 kn/m <sup>2</sup> | No     |        |
|   |                           |                        |        |        |
| 5 | 300*450*100 HDPE          | 1.76 kn/m <sup>2</sup> | ★★     |        |
|   |                           |                        |        |        |
| 6 | 410*417*175 HDPE          | 1.76 kn/m <sup>2</sup> | No     |        |
|   |                           |                        |        |        |
| 7 | 460*410*330 HDPE          | 1.76 kn/m <sup>2</sup> | No     |        |
|   |                           |                        |        |        |

**Mountain bleacher**

SCALE: 1:100 <http://www.mchair.com>

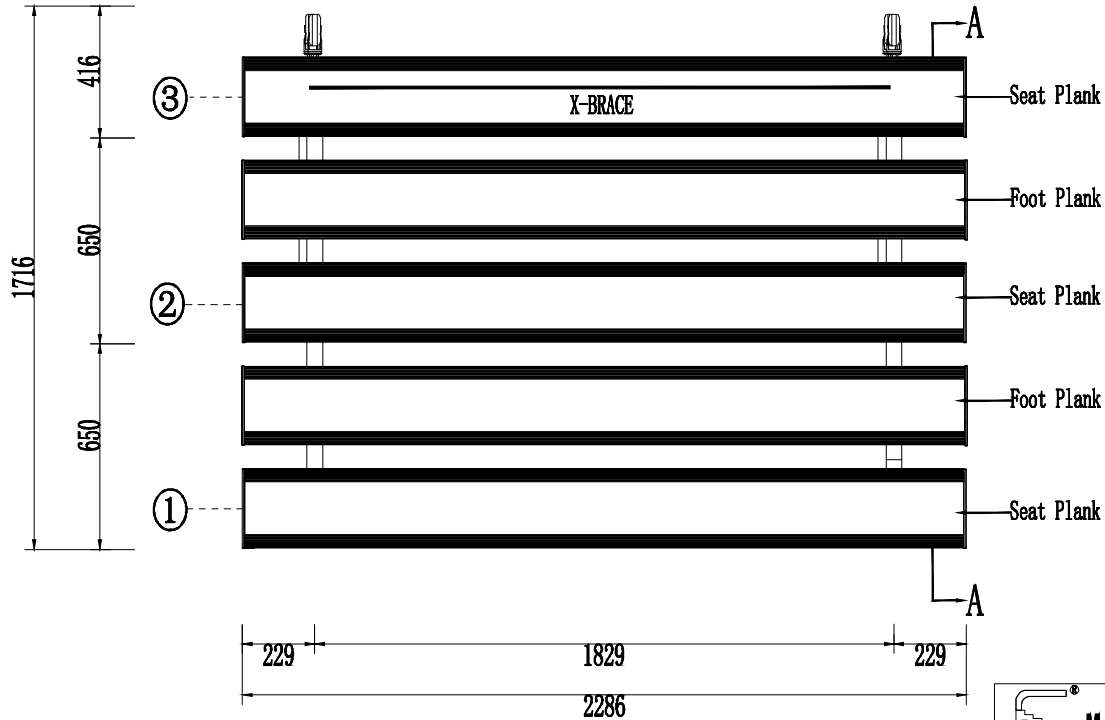
DATE: 2020/7/27 <https://www.mountainbleacher.com>

DESIGN: Mr. Lou [Tel:008618679222225](mailto:Tel:008618679222225), [008615070297138](mailto:008615070297138)

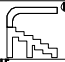
DRAWN: Mr. Chang [E-mail:dong@mountainbleacher.com](mailto:E-mail:dong@mountainbleacher.com)

TITLE: \_\_\_\_\_ No. 1

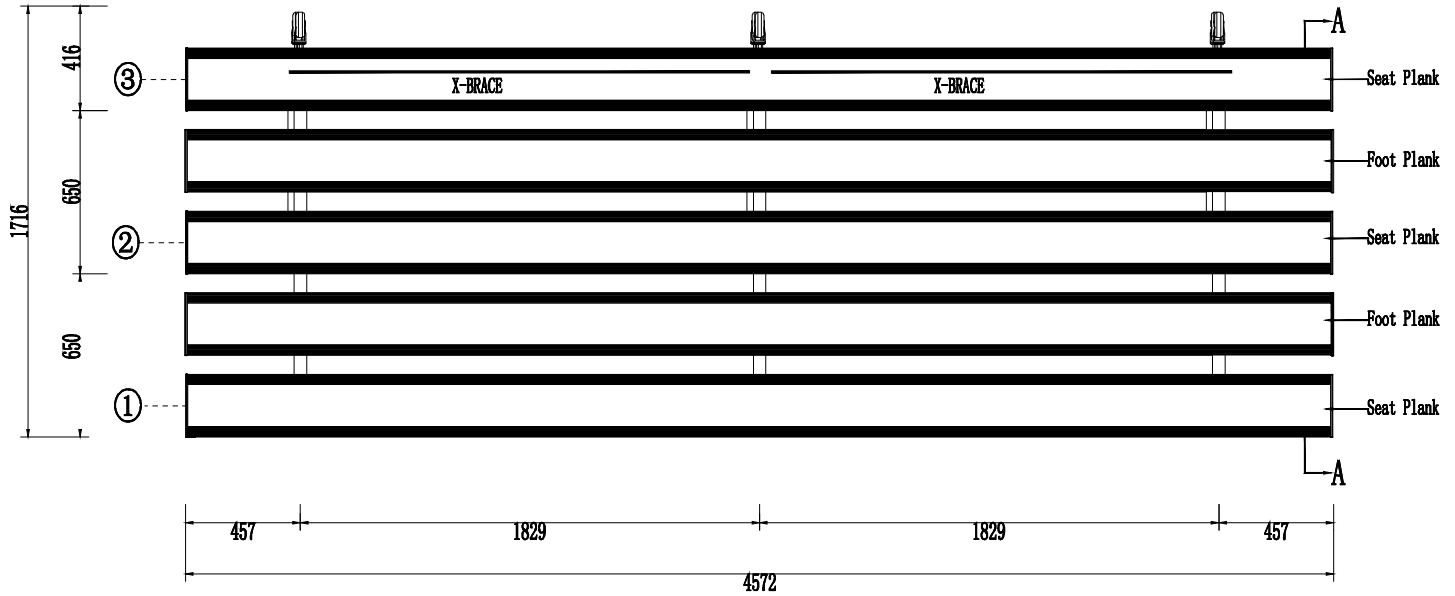
| Size table  | S     | M     | L     | XL    |
|-------------|-------|-------|-------|-------|
| Row Spacing | 650mm | 700mm | 750mm | 800mm |
|             | √     |       |       |       |



## SEATING PLAN

|  |            |   |
|--|------------|---|
|  <b>Mountain bleacher</b> |            |   |
| SCALE  | 1:100      | <a href="http://www.mountainbleacher.com">http://www.mountainbleacher.com</a> |
| DATE   | 2020/7/27  | <a href="http://www.mountainbleacher.com">http://www.mountainbleacher.com</a> |
| DESIGN   | Mr. Lou    | Tel: 008615070297139 / 008618679222225  |
| CHECK  | Mr. Choung | E-mail: dong@mountainbleacher.com   |
| TITLE  |            | NO. 1   |

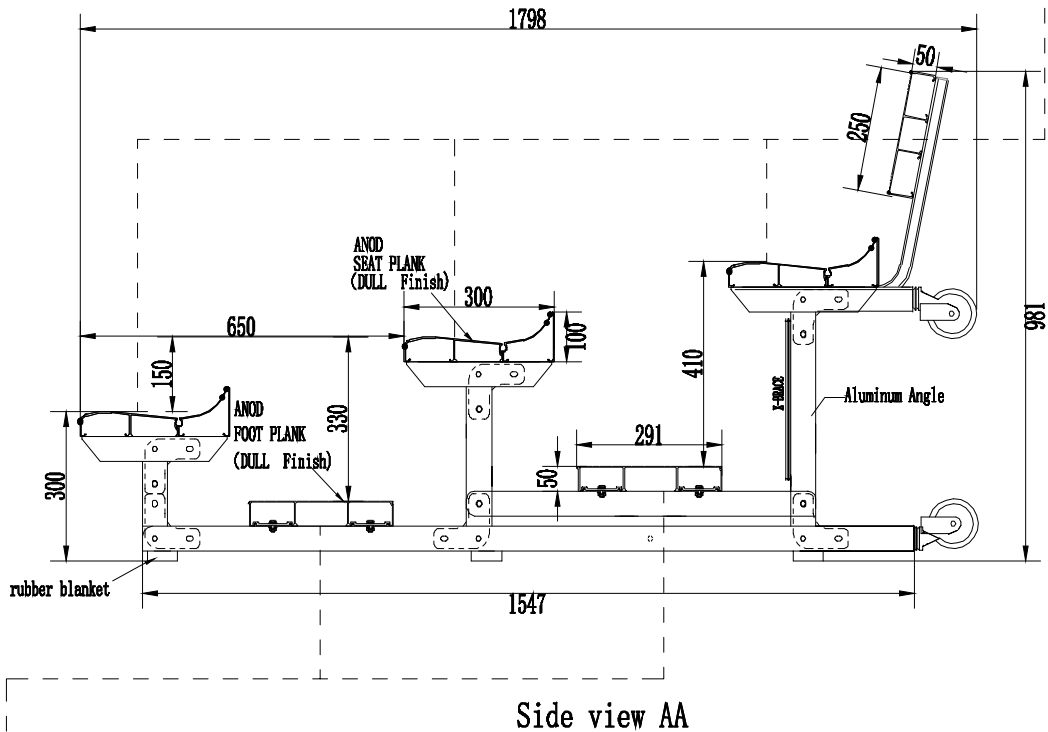
| Size table  | S     | M     | L     | XL    |
|-------------|-------|-------|-------|-------|
| Row Spacing | 650mm | 700mm | 750mm | 800mm |
|             | √     |       |       |       |



### SEATING PLAN

|  |           |   |
|--|-----------|---|
|  <b>Mountain bleacher</b> |           |   |
| SCALE  | 1:100     | <a href="http://www.mochair.com">http://www.mochair.com</a>                     |
| DATE   | 2020/7/27 | <a href="https://www.mountainbleacher.com">https://www.mountainbleacher.com</a> |
| DESIGN   | Mr. Lan   | Tel: 008615070297138 / 008618879222225  |
| CHECK  | Mr. Cheng | E-mail: dong@mountainbleacher.com   |
| TITLE  |           | NO. 1   |

|             |       |       |       |       |
|-------------|-------|-------|-------|-------|
| Size table  | S     | M     | L     | XL    |
| Row Spacing | 650mm | 700mm | 750mm | 800mm |
|             | √     |       |       |       |



UNIT:mm

### Seat model optional

|   | SEAT PLANK                | Live Load              | advice/choose |
|---|---------------------------|------------------------|---------------|
| 1 | 300*50*100 Aluminum alloy | 2.13 kn/m <sup>2</sup> | ★★★           |
|   |                           |                        |               |
| 2 | 291*50*3 Aluminum alloy   | 1.98 kn/m <sup>2</sup> | ★★★★★         |
|   |                           |                        |               |
| 3 | 250*50*2 Aluminum alloy   | 1.77 kn/m <sup>2</sup> | ★★★★★         |
|   |                           |                        |               |
| 4 | 250*38*2 Aluminum alloy   | 1.01 kn/m <sup>2</sup> | No            |
|   |                           |                        |               |
| 5 | 300*450*100 HDPE          | 1.76 kn/m <sup>2</sup> | ★★            |
|   |                           |                        |               |
| 6 | 410*417*175 HDPE          | 1.76 kn/m <sup>2</sup> | No            |
|   |                           |                        |               |
| 7 | 450*410*330 HDPE          | 1.76 kn/m <sup>2</sup> | No            |
|   |                           |                        |               |

| FOOT PLANK    | 1                       | 2                       | 3                       | 4                       |
|---------------|-------------------------|-------------------------|-------------------------|-------------------------|
|               | 397*50*2 Aluminum alloy | 291*50*2 Aluminum alloy | 250*50*2 Aluminum alloy | 250*38*2 Aluminum alloy |
|               |                         |                         |                         |                         |
| Live Load     | 2.81 kn/m <sup>2</sup>  | 2.06 kn/m <sup>2</sup>  | 1.77 kn/m <sup>2</sup>  | 1.01 kn/m <sup>2</sup>  |
| advice/choose | ★★                      | ★★★★★                   | ★★★★                    | No                      |

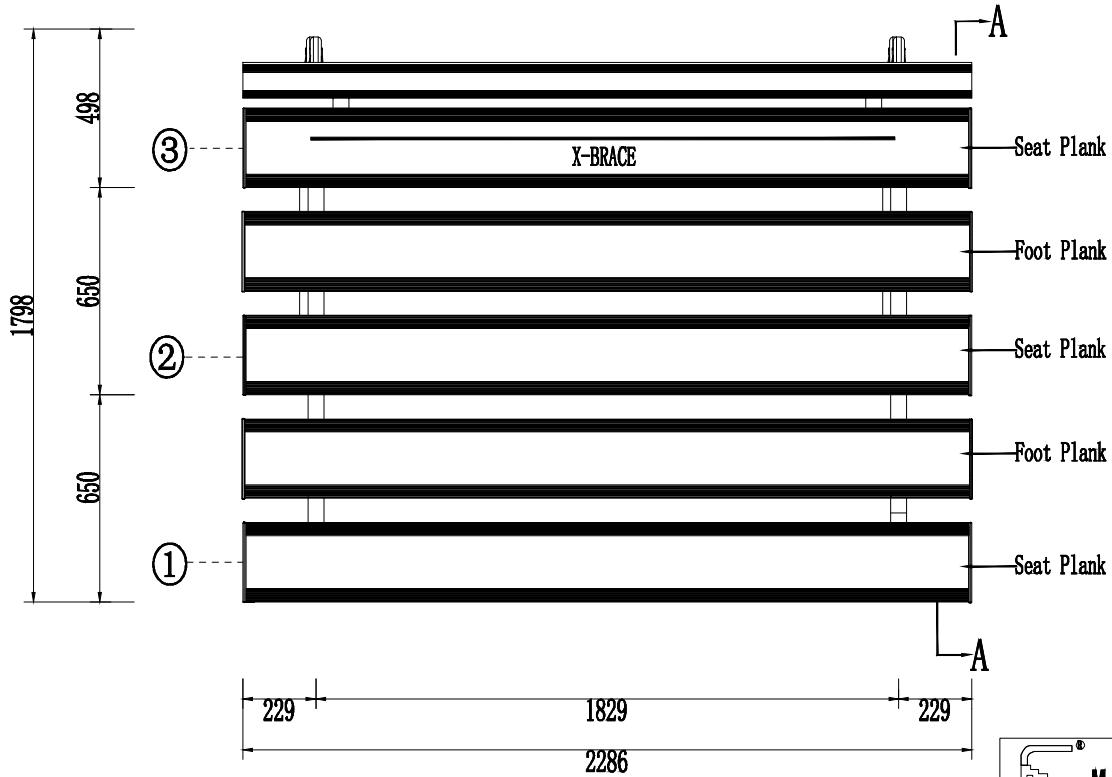
**Mountain bleacher**

SCALE: 1:100  
DATE: 2020/7/27  
DESIGN: Mr. Liu  
CHECK: Mr. Changz  
FILE

http://www.mochair.com  
https://www.mountainbleacher.com  
Tel: 008618879222225, 008615070297138  
E-mail: dong@mountainbleacher.com

No. 1

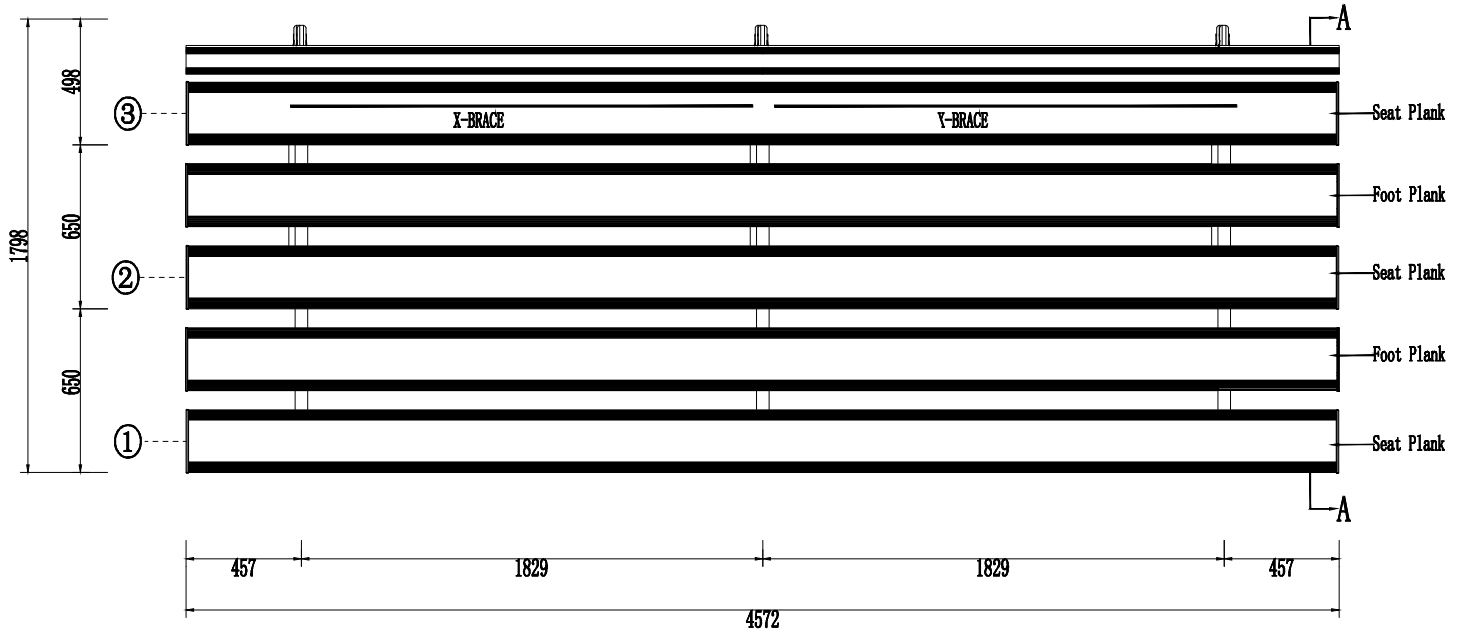
| Size table  | S     | M     | L     | XL    |
|-------------|-------|-------|-------|-------|
| Row Spacing | 650mm | 700mm | 750mm | 800mm |
|             | √     |       |       |       |



## SEATING PLAN

|  |            |  |
|--|------------|--|
|  <b>Mountain bleacher</b> |            |  |
|  |            | SCALE 1:100                            |
| DATE   | 2020/11/21 | https://www.mountainbleacher.com       |
| DESIGN   | Mr. Lau    | Tel: 008615070297138 / 008618879222225 |
| CHECK  | Mr. Cheng  | E-mail: dong@mountainbleacher.com      |
| TITLE  |            | NO. 1                                  |

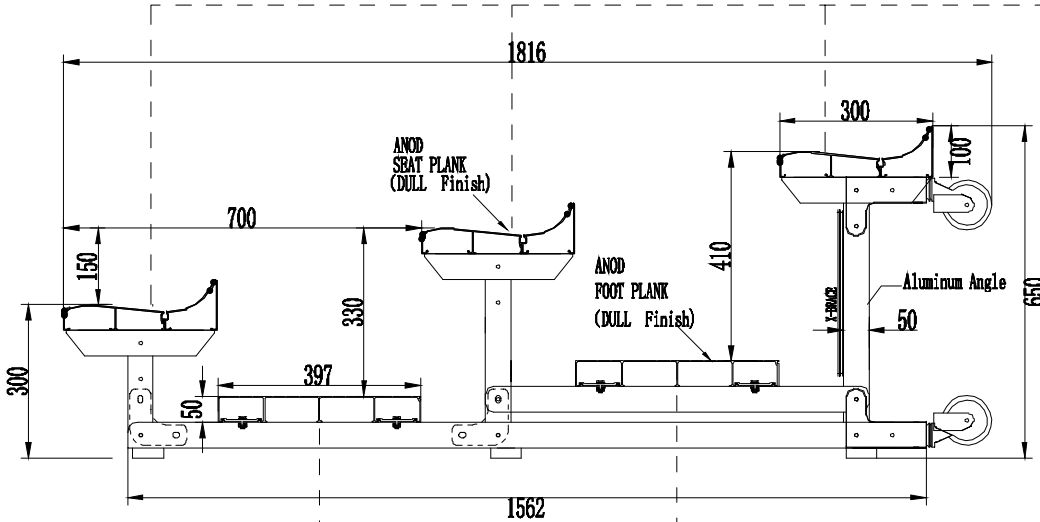
| Size table  | S     | M     | L     | XL    |
|-------------|-------|-------|-------|-------|
| Row Spacing | 650mm | 700mm | 750mm | 800mm |
|             | ↓     |       |       |       |



### SEATING PLAN

|   |            |   |
|---|------------|---|
|  <b>Mountain bleacher</b> |            |   |
| SCALE   | 1:100      | <a href="http://www.mountainbleacher.com">http://www.mountainbleacher.com</a>   |
| DATE  | 2020/1/27  | <a href="https://www.mountainbleacher.com">https://www.mountainbleacher.com</a> |
| DESIGN  | Mr. Lau    | Tel: 008615070297138 / 00861887922225   |
| CHECK   | Mr. Cheung | E-mail: dong@mountainbleacher.com   |
| TITLE   |            | NO. 1   |

|             |       |       |       |       |
|-------------|-------|-------|-------|-------|
| Size table  | S     | M     | L     | XL    |
| Row Spacing | 650mm | 700mm | 750mm | 800mm |
|             |       | √     |       |       |



Side view AA

UNIT:mm

Seat model optional

|   | SEAT PLANK                | Live Load              | advice | choose |
|---|---------------------------|------------------------|--------|--------|
| 1 | 300*50*100 Aluminum alloy | 2.13 kn/m <sup>2</sup> | ★★★    |        |
|   |                           |                        |        |        |
| 2 | 291*50*2 Aluminum alloy   | 1.98 kn/m <sup>2</sup> | ★★★★★  |        |
|   |                           |                        |        |        |
| 3 | 250*50*2 Aluminum alloy   | 1.77 kn/m <sup>2</sup> | ★★★★★  |        |
|   |                           |                        |        |        |
| 4 | 250*38*2 Aluminum alloy   | 1.01 kn/m <sup>2</sup> | No     |        |
|   |                           |                        |        |        |
| 5 | 300*150*100 HDPE          | 1.76 kn/m <sup>2</sup> | ★★     |        |
|   |                           |                        |        |        |
| 6 | 410*117*175 HDPE          | 1.76 kn/m <sup>2</sup> | No     |        |
|   |                           |                        |        |        |
| 7 | 450*410*330 HDPE          | 1.76 kn/m <sup>2</sup> | No     |        |
|   |                           |                        |        |        |

| FOOT PLANK | 1                       | 2                       | 3                       | 4                       |
|------------|-------------------------|-------------------------|-------------------------|-------------------------|
|            | 397*50*2 Aluminum alloy | 291*50*2 Aluminum alloy | 250*50*2 Aluminum alloy | 250*38*2 Aluminum alloy |
|            |                         |                         |                         |                         |
| Live Load  | 2.81 kn/m <sup>2</sup>  | 2.06 kn/m <sup>2</sup>  | 1.77 kn/m <sup>2</sup>  | 1.01 kn/m <sup>2</sup>  |
| advice     | ★★                      | ★★★★★                   | ★★★★★                   | No                      |
| choose     |                         |                         |                         |                         |

**Mountain bleacher**

SCALE: 1:100 <http://www.mchair.com>

DATE: 2020/7/27 <http://www.mountainbleacher.com>

DESIGN: Mr. Liu PROF Tel: 008618879222225 008615070297138


CHECK: Mr. Chang E-mail: dore@mountainbleacher.com

TITLE: 1

| Size table  | S     | M     | L     | XL    |
|-------------|-------|-------|-------|-------|
| Row Spacing | 650mm | 700mm | 750mm | 800mm |
|             |       | √     |       |       |

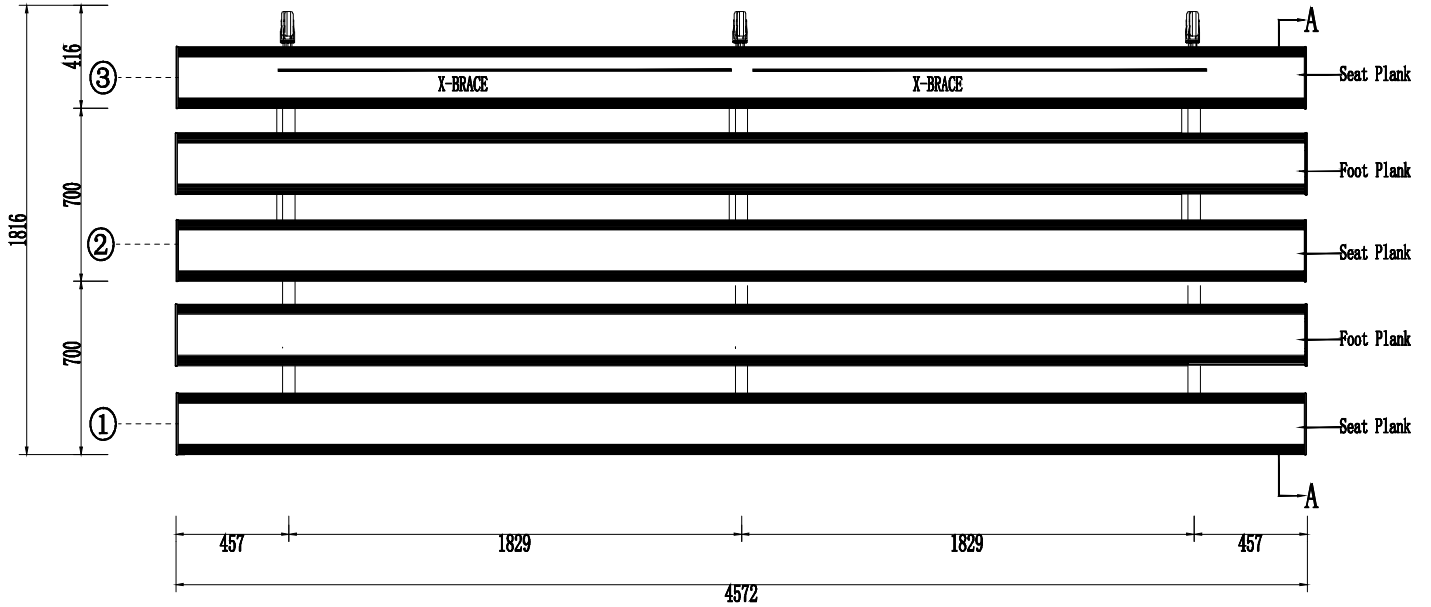


SEATING PLAN

|  |           |   |
|--|-----------|---|
|  <b>Mountain bleacher</b> |           |   |
| SCALE  | 1:100     | <a href="http://www.mountainbleacher.com">http://www.mountainbleacher.com</a> |
| DATE   | 2020/7/27 | <a href="http://www.mountainbleacher.com">http://www.mountainbleacher.com</a> |
| DESIGN   | Mr. Lau   | Tel: 008615070297138 / 008618879222228  |
| CHECK  | Mr. Chung | E-mail: dong@mountainbleacher.com   |
| TITLE  |           | 1   |



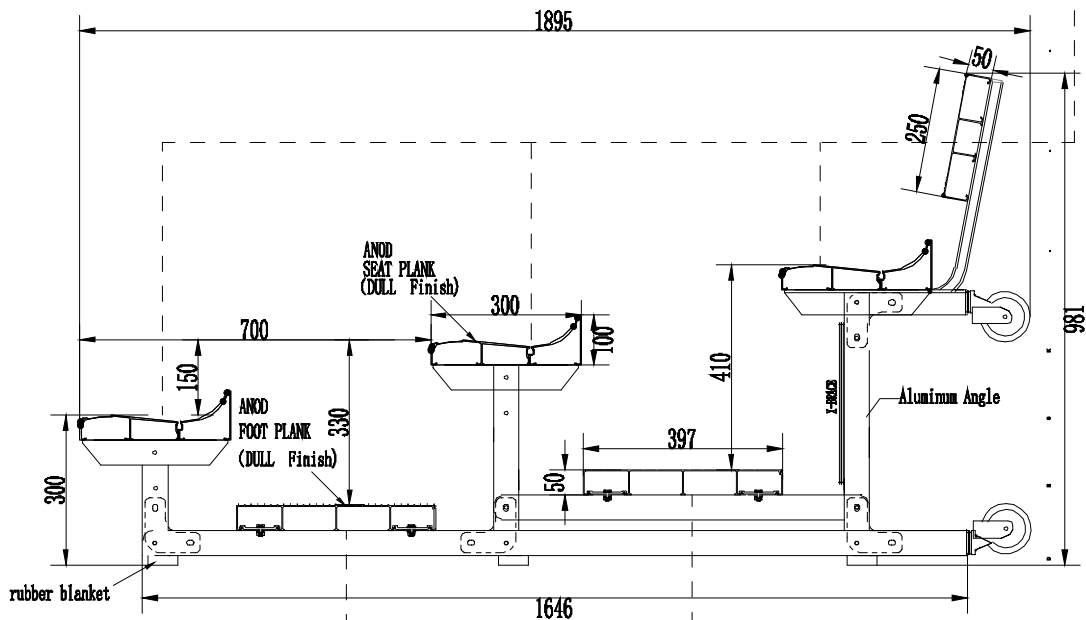
|             |       |       |       |       |
|-------------|-------|-------|-------|-------|
| Size table  | S     | M     | L     | XL    |
| Row Spacing | 650mm | 700mm | 750mm | 800mm |
|             |       | √     |       |       |



## SEATING PLAN

|   |           |  |
|---|-----------|--|
|  <b>Mountain bleacher</b> |           |  |
| SCALE   | 1:100     | <a href="http://www.mountainbleacher.com">http://www.mountainbleacher.com</a>    |
| DATE  | 2020/7/27 | <a href="https://www.mountainbleacher.com">https://www.mountainbleacher.com</a>  |
| DESIGN  | Mr. Lan   | Tel: 008615070297138 / 008618879222225   |
| CHECK   | Mr. Cheng | E-mail: <a href="mailto:dong@mountainbleacher.com">dong@mountainbleacher.com</a> |
| TITLE   |           | No. 1  |

|             |       |       |       |       |
|-------------|-------|-------|-------|-------|
| Size table  | S     | M     | L     | XL    |
| Row Spacing | 650mm | 700mm | 750mm | 800mm |
|             |       | ✓     |       |       |



Side view AA

UNIT: mm

Seat model optional

| SEAT PLANK |                           | Live Load              | advice | choose |
|------------|---------------------------|------------------------|--------|--------|
| 1          | 300*50*100 Aluminum alloy | 2.13 kn/m <sup>2</sup> | ★★★    |        |
|            |                           |                        |        |        |
| 2          | 291*50*2 Aluminum alloy   | 1.98 kn/m <sup>2</sup> | ★★★★   |        |
|            |                           |                        |        |        |
| 3          | 250*50*2 Aluminum alloy   | 1.77 kn/m <sup>2</sup> | ★★★★   |        |
|            |                           |                        |        |        |
| 4          | 250*38*2 Aluminum alloy   | 1.01 kn/m <sup>2</sup> | No     |        |
|            |                           |                        |        |        |
| 5          | 300*450*100 HDPE          | 1.76 kn/m <sup>2</sup> | ★★     |        |
|            |                           |                        |        |        |
| 6          | 410*417*175 HDPE          | 1.76 kn/m <sup>2</sup> | No     |        |
|            |                           |                        |        |        |
| 7          | 450*410*330 HDPE          | 1.76 kn/m <sup>2</sup> | No     |        |
|            |                           |                        |        |        |

| FOOT PLANK | 1                       | 2                       | 3                       | 4                       |
|------------|-------------------------|-------------------------|-------------------------|-------------------------|
|            | 397*50*2 Aluminum alloy | 291*50*2 Aluminum alloy | 250*50*2 Aluminum alloy | 250*38*2 Aluminum alloy |
|            |                         |                         |                         |                         |
| Live Load  | 2.81 kn/m <sup>2</sup>  | 2.06 kn/m <sup>2</sup>  | 1.77 kn/m <sup>2</sup>  | 1.01 kn/m <sup>2</sup>  |
| advice     | ★ ★                     | ★★★★                    | ★★★★                    | No                      |
| choose     |                         |                         |                         |                         |

**Mountain bleacher**

SCALE: 1:100 <http://www.mountainbleacher.com>

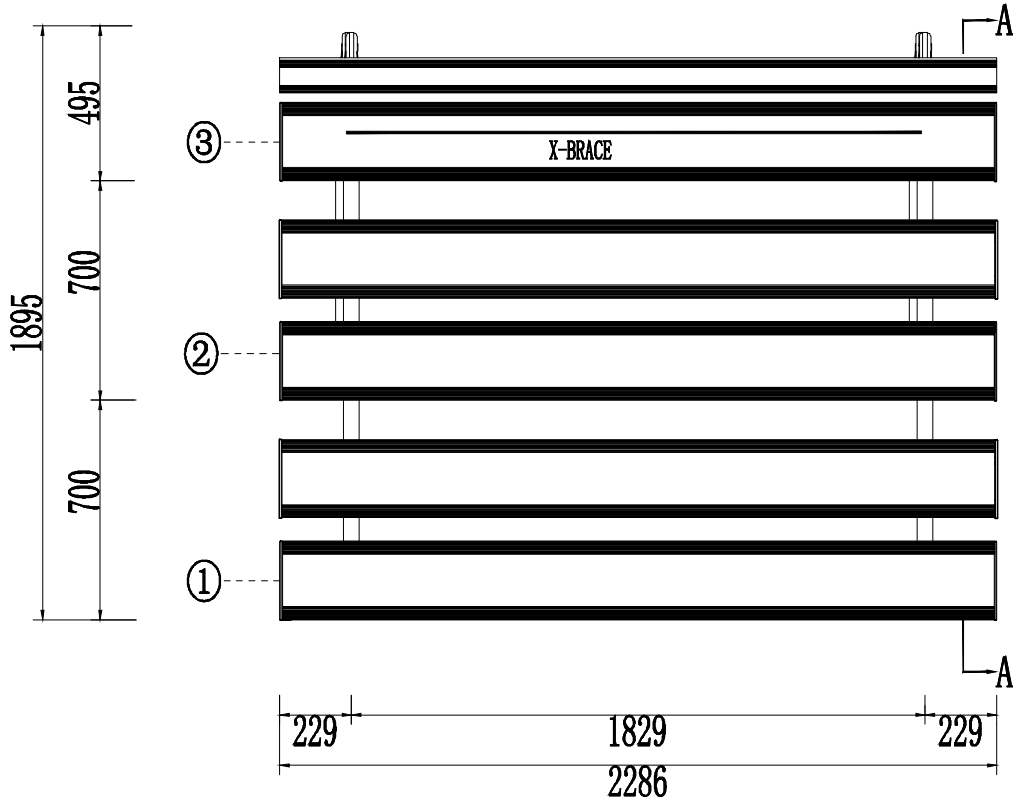
DATE: 2020/7/27 <https://www.mountainbleacher.com>

DESIGN: Mr. Lau Tel: 00861867922226, 008615070297138

DRAWN: Mr. Chang E-mail: dong@mountainbleacher.com

MODEL: 1

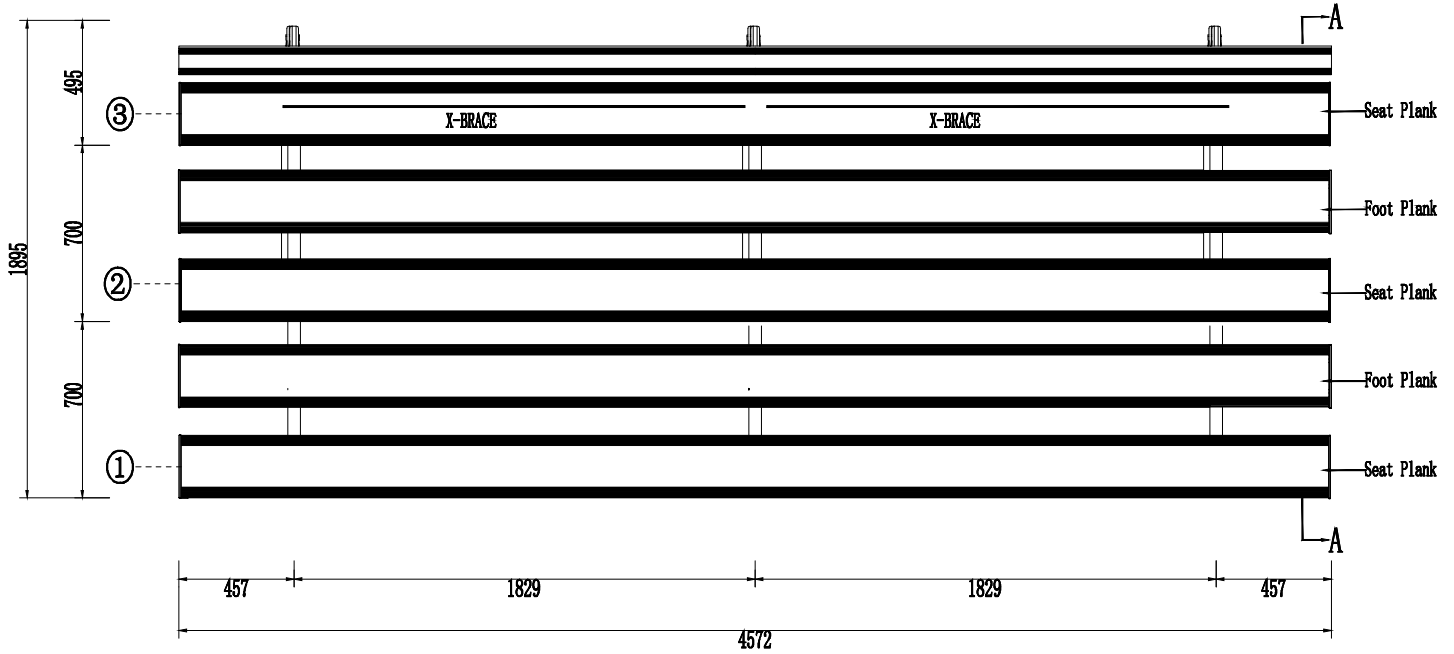
|             |       |       |       |       |
|-------------|-------|-------|-------|-------|
| Size table  | S     | M     | L     | XL    |
| Row Spacing | 650mm | 700mm | 750mm | 800mm |
|             |       | √     |       |       |




## SEATING PLAN

|  |           |  |
|--|-----------|--|
|  |           |  |
| <b>Mountain bleacher</b>   |           |  |
| SCALE  | 1:100     | <a href="http://www.mountainbleacher.com">http://www.mountainbleacher.com</a>    |
| DATE   | 2008/7/27 | <a href="http://www.mountainbleacher.com">http://www.mountainbleacher.com</a>    |
| DESIGN   | Mr. Lou   | Tel: 008615070297138 / 008618679222226   |
| CHECK  | Mr. Cheng | E-mail: <a href="mailto:dong@mountainbleacher.com">dong@mountainbleacher.com</a> |
| TITLE  |           | NO. 1  |

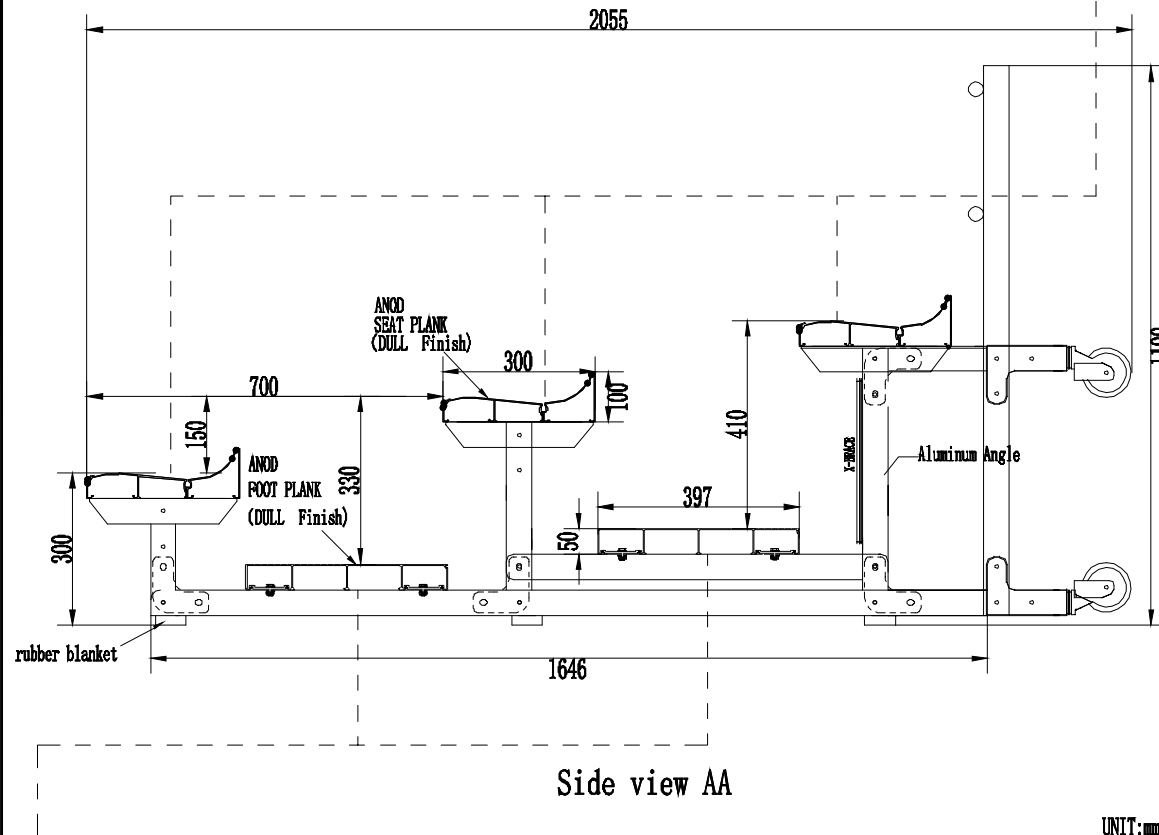
|             |       |       |       |       |
|-------------|-------|-------|-------|-------|
| Size table  | S     | M     | L     | XL    |
| Row Spacing | 650mm | 700mm | 750mm | 800mm |
|             |       | ↓     |       |       |



## SEATING PLAN

|   |            |  |
|---|------------|--|
|  |            | <b>Mountain bleacher</b>   |
| SCALE   | 1:100      | <a href="http://www.mountainbleacher.com">http://www.mountainbleacher.com</a>    |
| DATE  | 2020/1/27  | <a href="https://www.mountainbleacher.com">https://www.mountainbleacher.com</a>  |
| DESIGN  | Mr. Lau    | Tel: 008615070297138 / 008618879222226   |
| CHECK   | Mr. Cheung | E-mail: <a href="mailto:dong@mountainbleacher.com">dong@mountainbleacher.com</a> |
| TITLE   |            | No. 1  |

|             |       |       |       |       |
|-------------|-------|-------|-------|-------|
| Size table  | S     | M     | L     | XL    |
| Row Spacing | 650mm | 700mm | 750mm | 800mm |
|             |       | √     |       |       |



Side view AA

UNIT:mm

Seat model optional

|   | SEAT PLANK              | Live Load             | advice | choose |
|---|-------------------------|-----------------------|--------|--------|
| 1 | 300*50*2 Aluminum alloy | 2.13kn/m <sup>2</sup> | ★★★    |        |
|   |                         |                       |        |        |
| 2 | 291*50*2 Aluminum alloy | 1.96kn/m <sup>2</sup> | ★★★★   |        |
|   |                         |                       |        |        |
| 3 | 250*50*2 Aluminum alloy | 1.77kn/m <sup>2</sup> | ★★★★   |        |
|   |                         |                       |        |        |
| 4 | 250*38*2 Aluminum alloy | 1.01kn/m <sup>2</sup> | No     |        |
|   |                         |                       |        |        |
| 5 | 300*450*100 HDPE        | 1.76kn/m <sup>2</sup> | ★★     |        |
|   |                         |                       |        |        |
| 6 | 410*417*175 HDPE        | 1.76kn/m <sup>2</sup> | No     |        |
|   |                         |                       |        |        |
| 7 | 450*410*330 HDPE        | 1.76kn/m <sup>2</sup> | No     |        |
|   |                         |                       |        |        |
|   |                         |                       |        |        |

| FOOT PLANK | 1                       | 2                       | 3                       | 4                       |
|------------|-------------------------|-------------------------|-------------------------|-------------------------|
|            | 397*50*2 Aluminum alloy | 291*50*2 Aluminum alloy | 250*50*2 Aluminum alloy | 250*38*2 Aluminum alloy |
|            |                         |                         |                         |                         |
| Live Load  | 2.81kn/m <sup>2</sup>   | 2.06kn/m <sup>2</sup>   | 1.77kn/m <sup>2</sup>   | 1.01kn/m <sup>2</sup>   |
| advice     | ★★                      | ★★★★                    | ★★★★                    | No                      |
| choose     |                         |                         |                         |                         |

**Mountain bleacher**

SCALE: 1:100 <http://www.mountainbleacher.com>

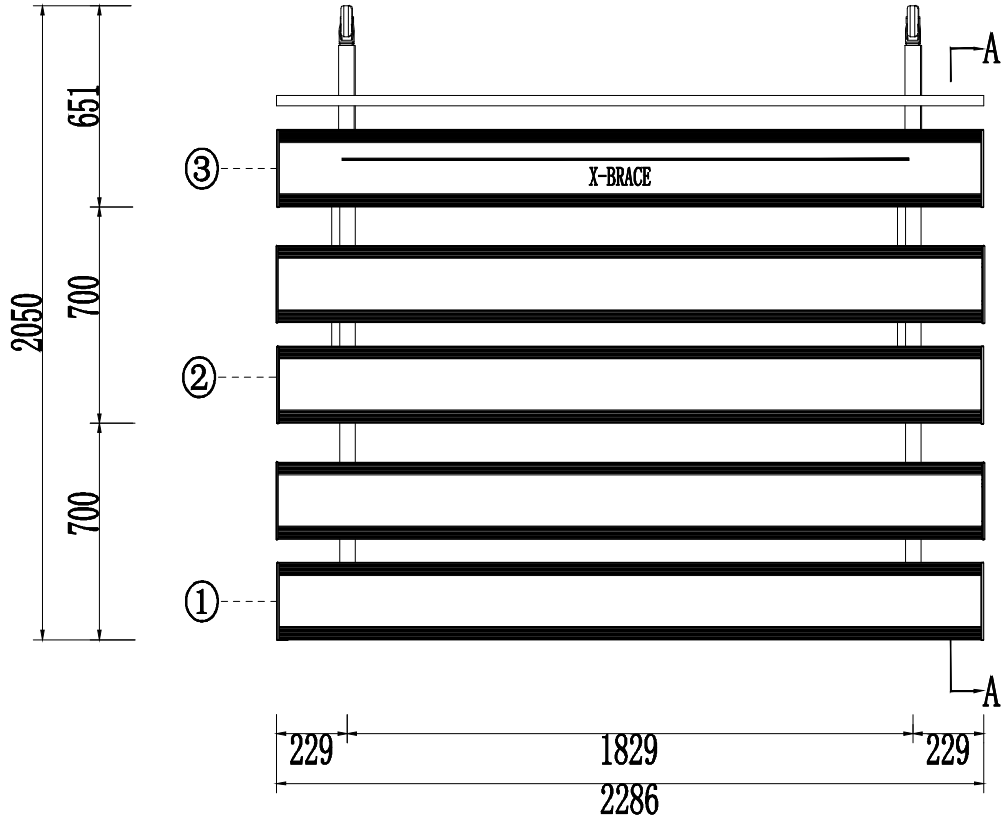
DATE: 2020/1/27 <https://www.mountainbleacher.com>

DESIGN: Mr. Lau TEL: 008618878222225, 008619070297138

CHECK: Mr. Chang E-MAIL: dorg@mountainbleacher.com

TITLE: \_\_\_\_\_

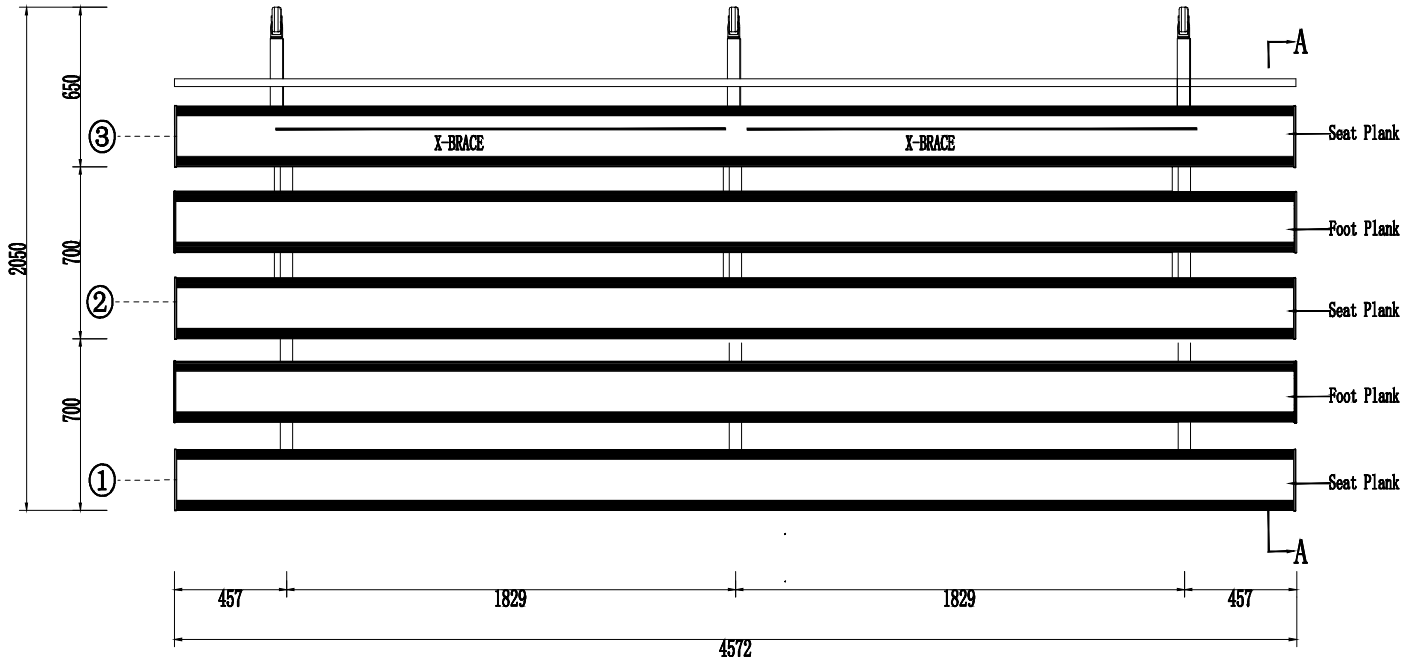
| Size table  | S     | M     | L     | XL    |
|-------------|-------|-------|-------|-------|
| Row Spacing | 650mm | 700mm | 750mm | 800mm |
|             |       | √     |       |       |



SEATING PLAN

|  |            |   |
|--|------------|---|
|  <b>Mountain bleacher</b> |            |   |
| SCALE  | 1:100      | <a href="http://www.mchair.com">http://www.mchair.com</a>                       |
| DATE   | 2020/11/23 | <a href="https://www.mountainbleacher.com">https://www.mountainbleacher.com</a> |
| DESIGN   | Mr. Liu    | Tel: 008615070297138 / 008618879222225  |
| CHECK  | Mr. Cheng  | E-mail: dong@mountainbleacher.com   |
| TITLE  |            | No. 1   |

| Size table  | S     | M     | L     | XL    |
|-------------|-------|-------|-------|-------|
| Row Spacing | 650mm | 700mm | 750mm | 800mm |



## SEATING PLAN

|  <b>Mountain bleacher</b> |            |  |
|--|------------|--|
| SCALE  | 1:100      | <a href="http://www.mountainbleacher.com">http://www.mountainbleacher.com</a>    |
| DATE   | 2020/11/27 | <a href="https://www.mountainbleacher.com">https://www.mountainbleacher.com</a>  |
| DESIGN   | Mr. Lau    | Tel: 008615070297136 / 008618879222225   |
| CHECK  | Mr. Cheung | E-mail: <a href="mailto:dong@mountainbleacher.com">dong@mountainbleacher.com</a> |
| TITLE  |            | 1/1  |