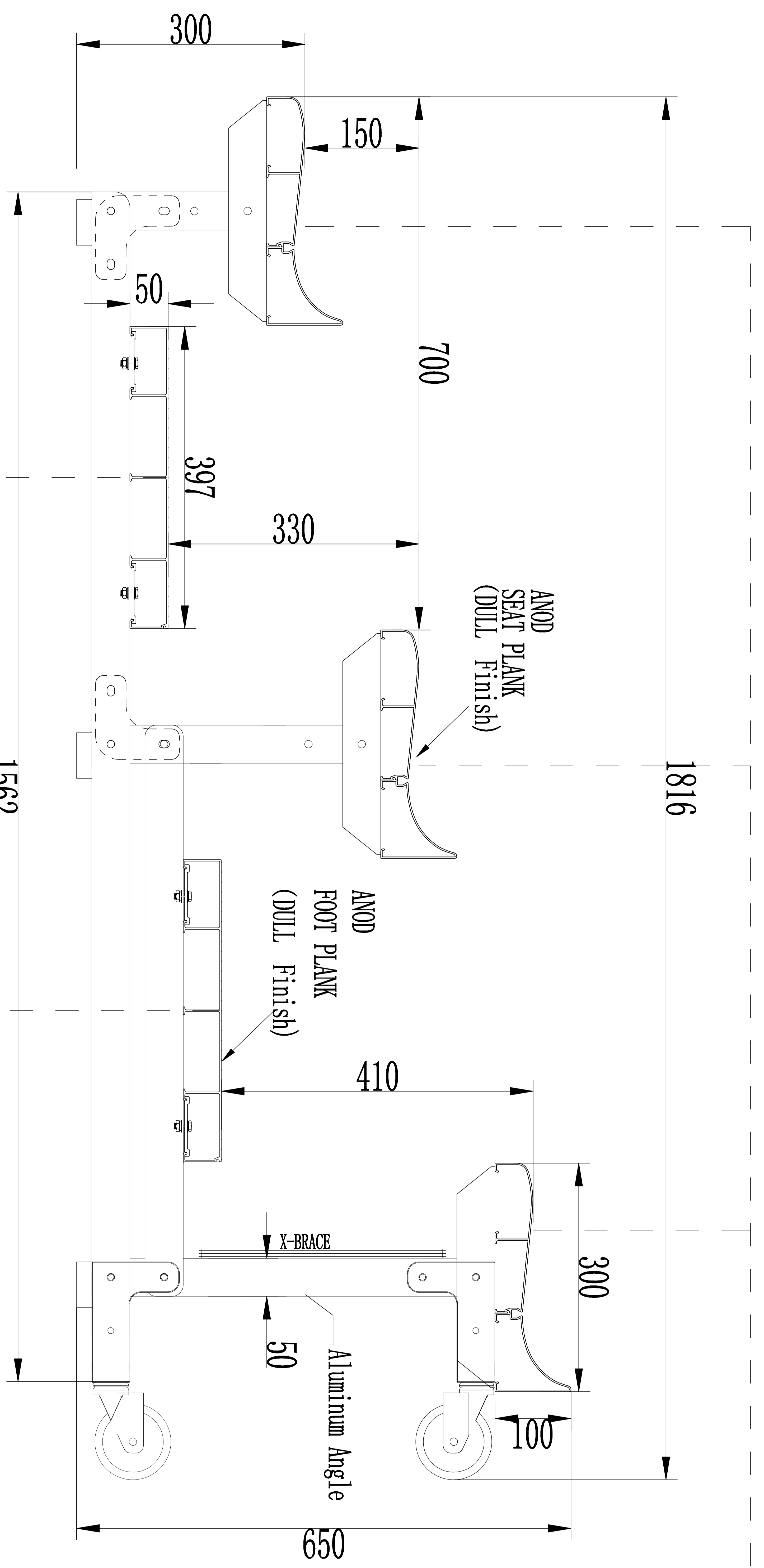


| | | | | |
|-------------|-------|-------|-------|-------|
| Size table | S | M | L | XL |
| Row Spacing | 650mm | 700mm | 750mm | 800mm |



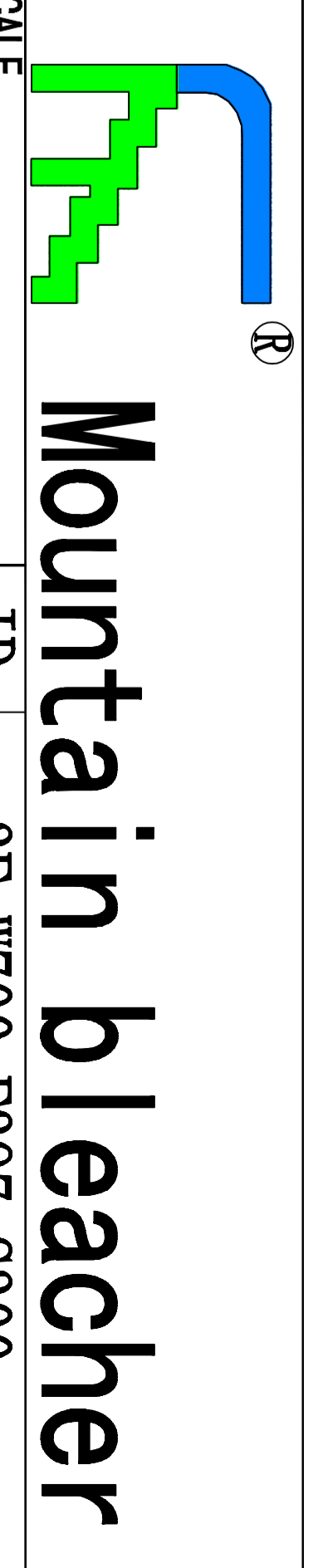
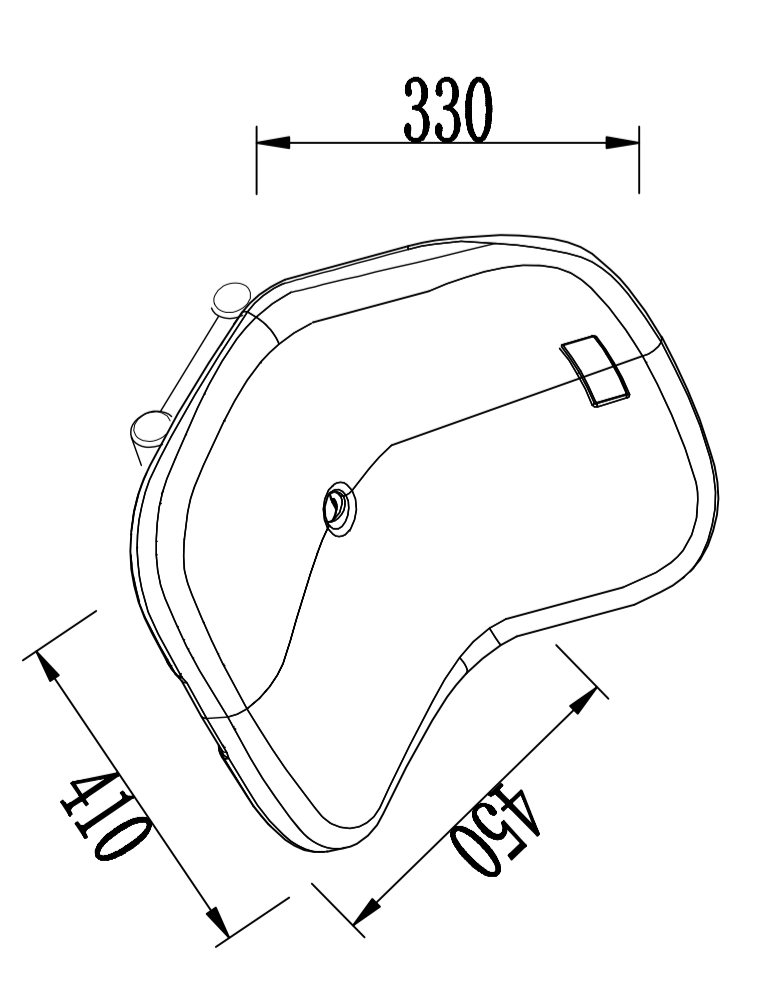
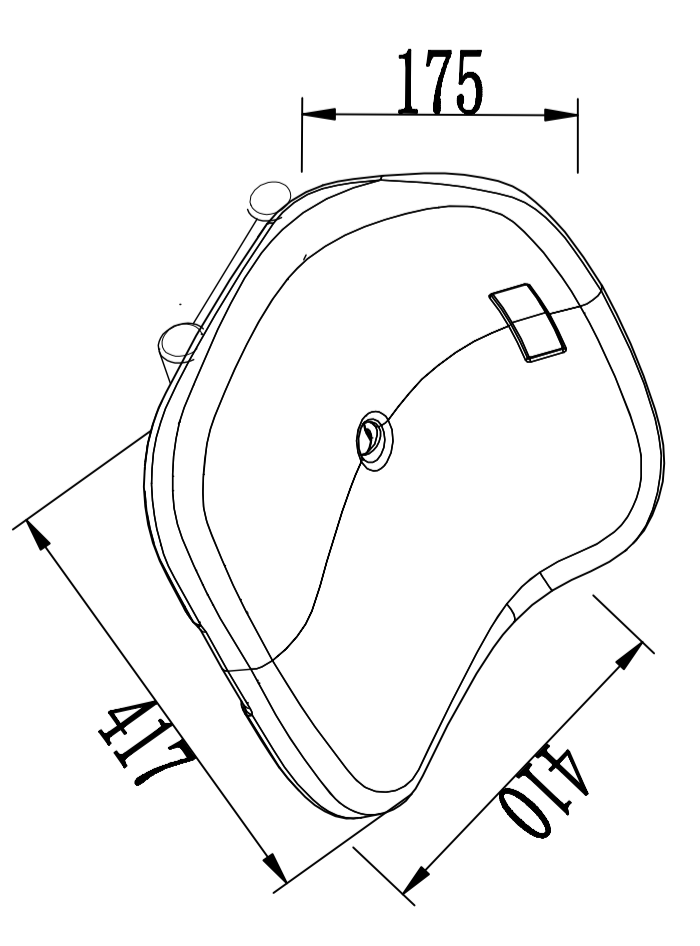
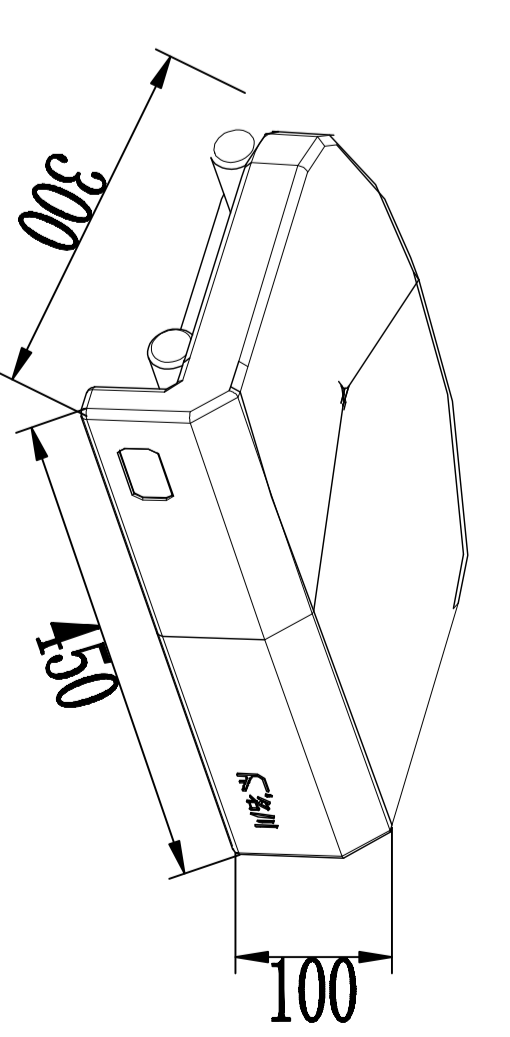
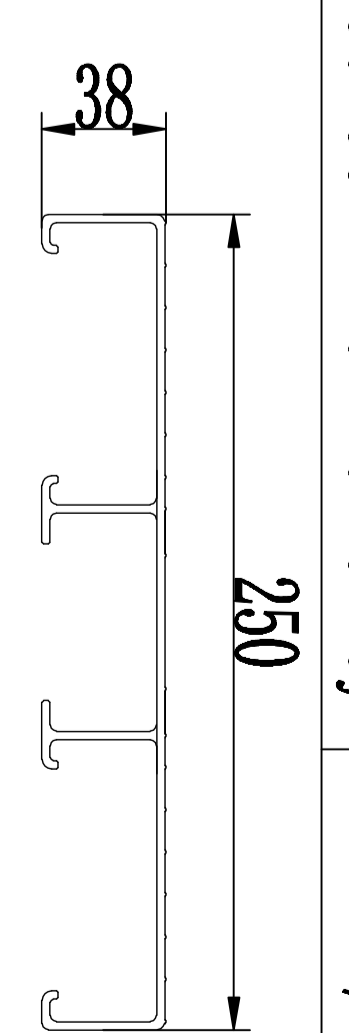
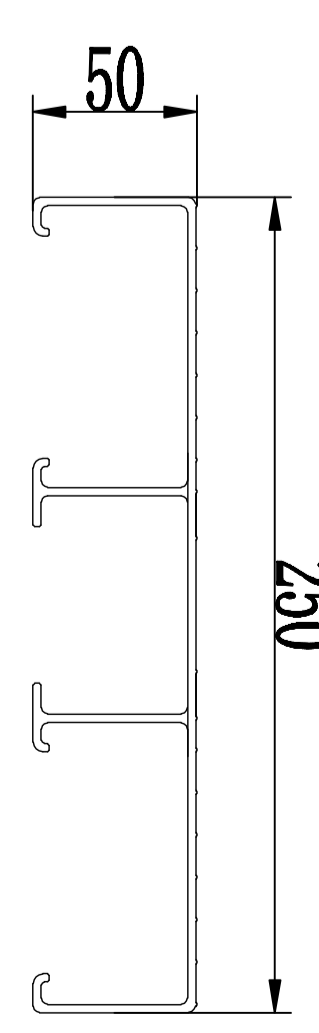
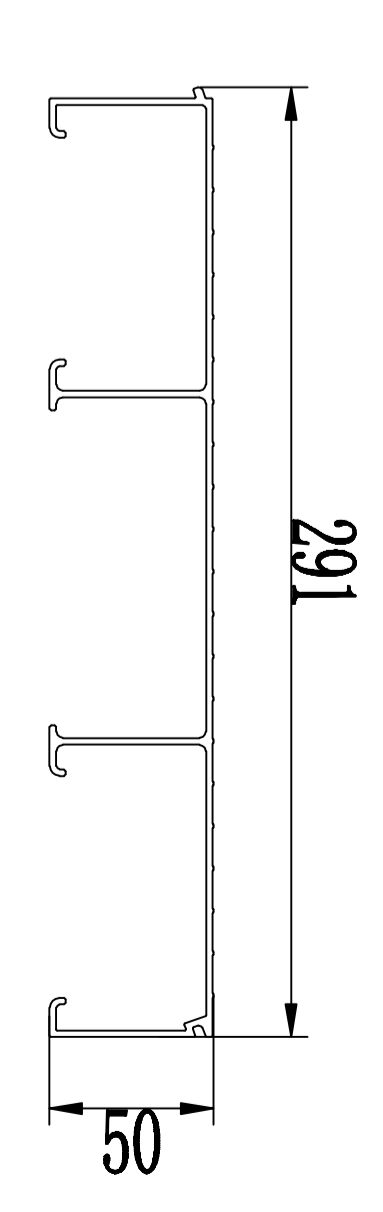
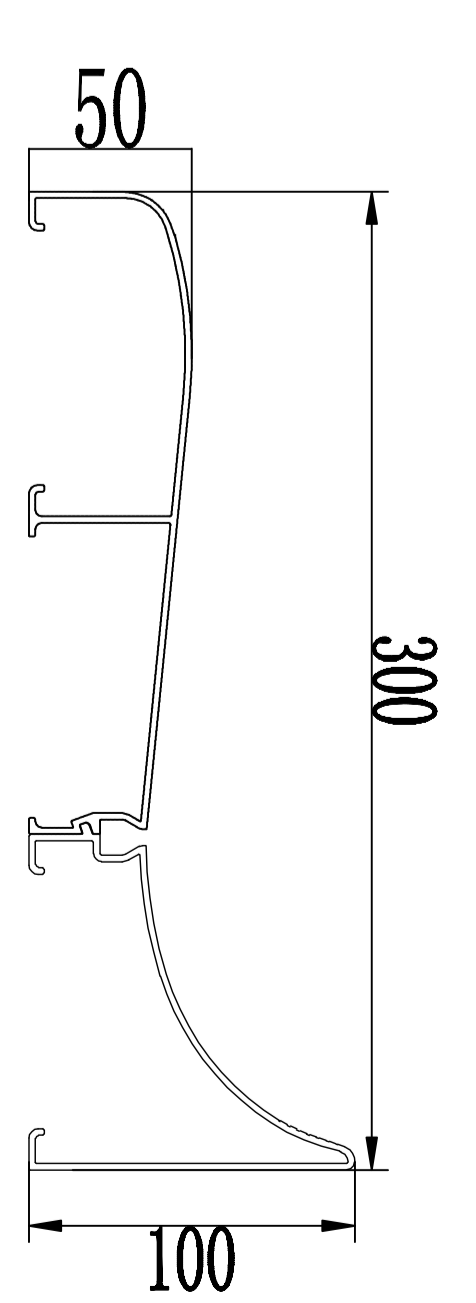
Side view AA

UNIT: mm

| | | | | | | | | |
|------------|-----------|-------------------------|---|-------------------------|---|-------------------------|---|-------------------------|
| FOOT PLANK | 1 | 397*50*2 Aluminum alloy | 2 | 291*50*2 Aluminum alloy | 3 | 250*50*2 Aluminum alloy | 4 | 250*38*2 Aluminum alloy |
| | | | | | | | | |
| | Live Load | 2.81 kn/m ² | | 2.06 kn/m ² | | 1.77 kn/m ² | | 1.01 kn/m ² |
| | advice | ★★★ | | ★★★★★ | | ★★★★★ | | No |

Seat model optional

| | | | | |
|---|---------------------------|------------------------|--------|--------|
| 1 | SEAT PLANK | Live Load | advice | choose |
| 1 | 300*50*100 Aluminum alloy | 2.13 kn/m ² | ★★★★ | |
| 2 | 291*50*2 Aluminum alloy | 1.98 kn/m ² | ★★★★★ | |
| 3 | 250*50*2 Aluminum alloy | 1.77 kn/m ² | ★★★★ | |
| 4 | 250*38*2 Aluminum alloy | 1.01 kn/m ² | No | |
| 5 | 300*450*100 HDPE | 1.76 kn/m ² | ★★ | |
| 6 | 410*417*175 HDPE | 1.76 kn/m ² | No | |
| 7 | 450*410*330 HDPE | 1.76 kn/m ² | No | |



SCALE 1:100
 DATE 2020/7/27
 DESIGN Mr. Lau
 CHECK Mr. Cheung
 ID 3F-W700-F397-S300
 https://www.mountainbleacher.com
 Tel: 00861887922225, 008615070297138
 E-mail: dong@mountainbleacher.com
 NO. 1