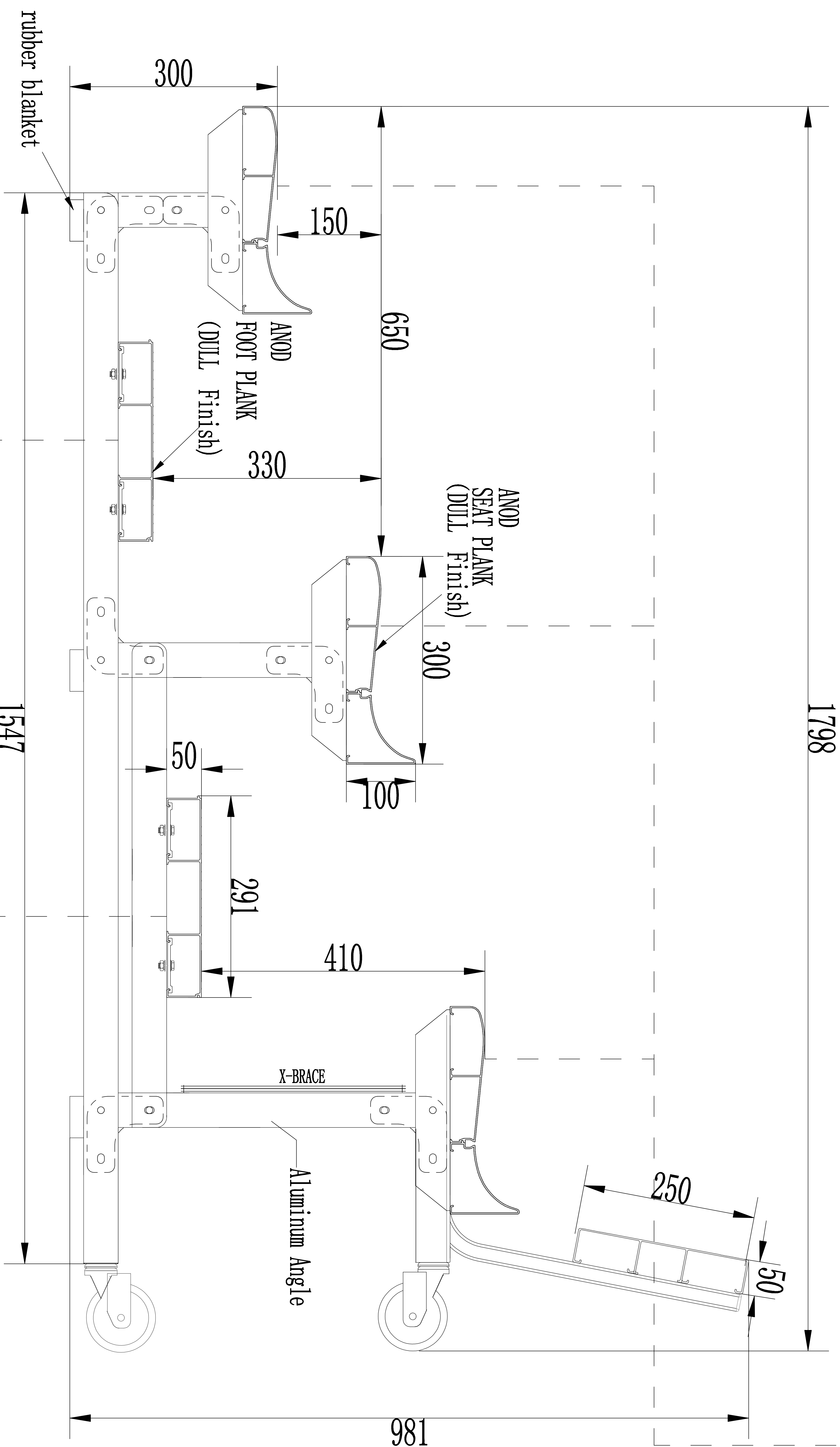


Size table	S	M	L	XL
Row Spacing	650mm	700mm	750mm	800mm



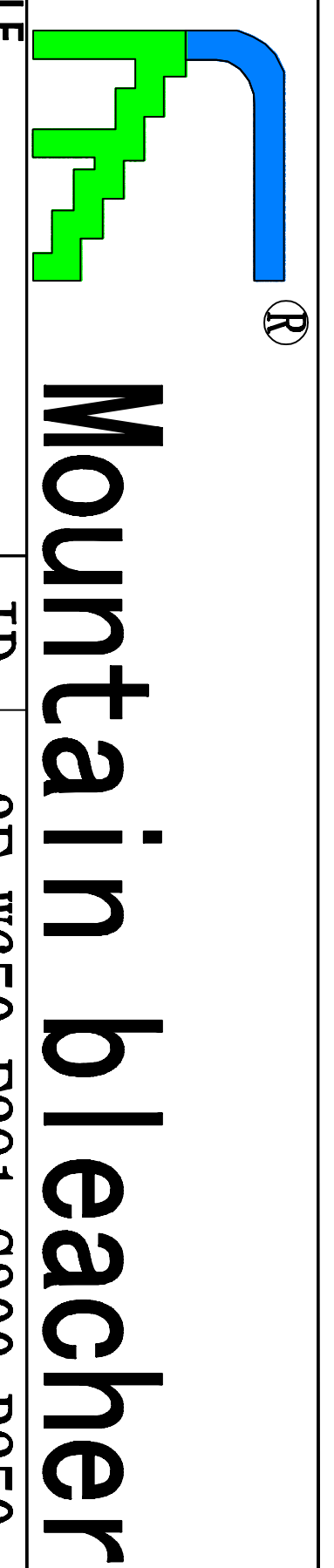
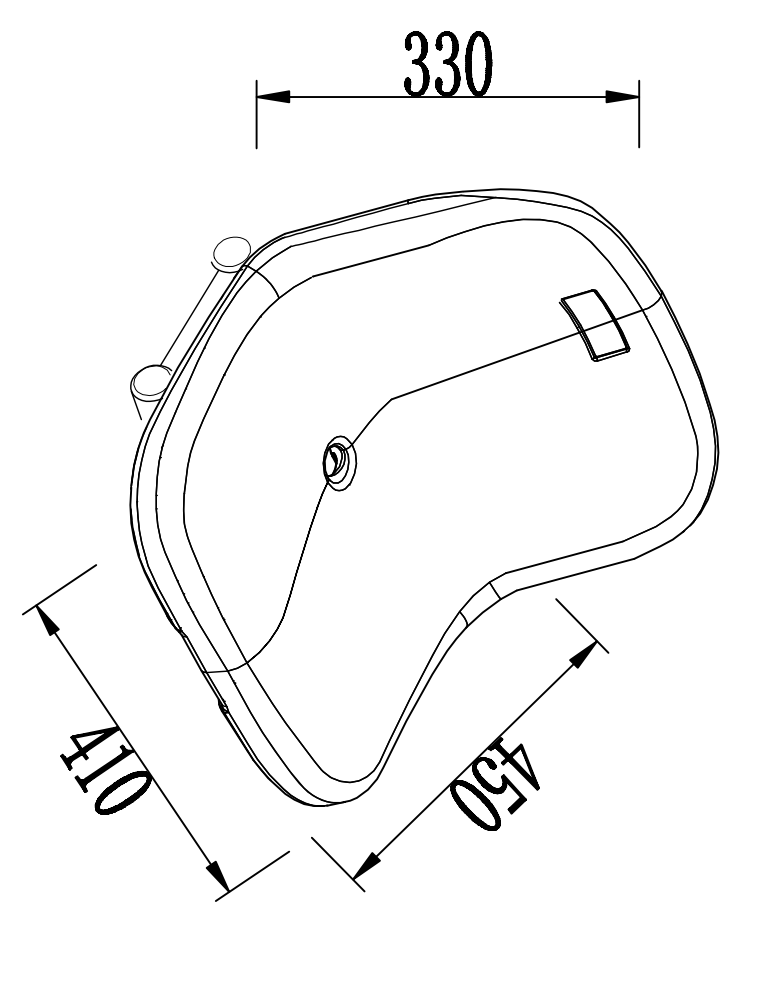
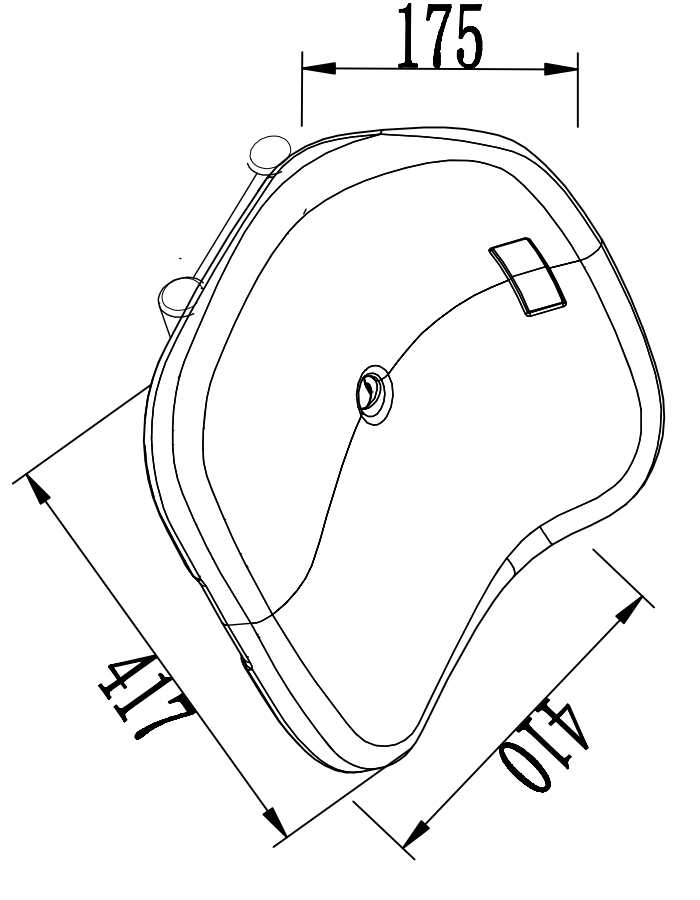
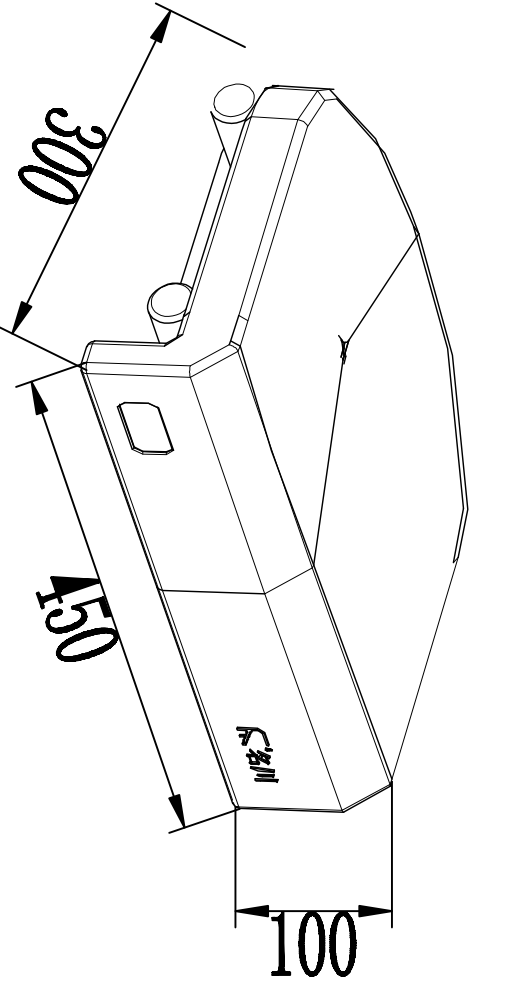
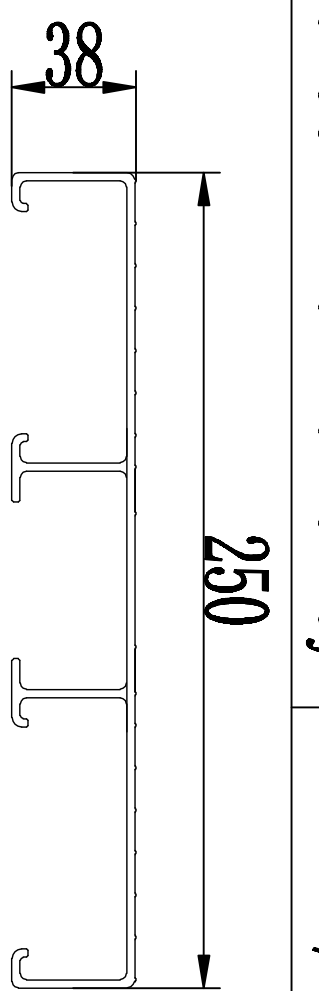
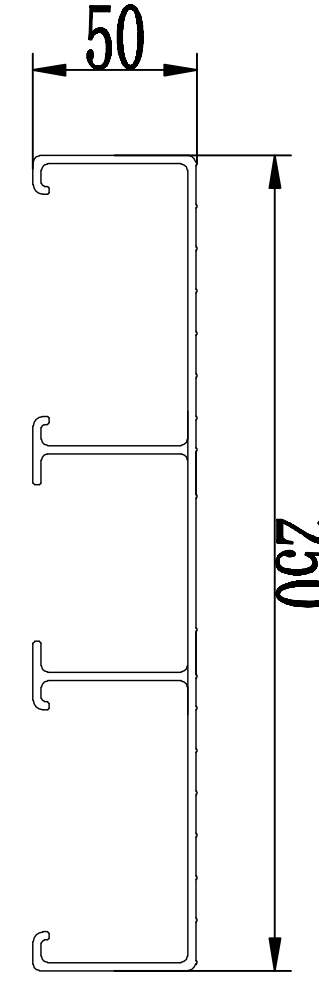
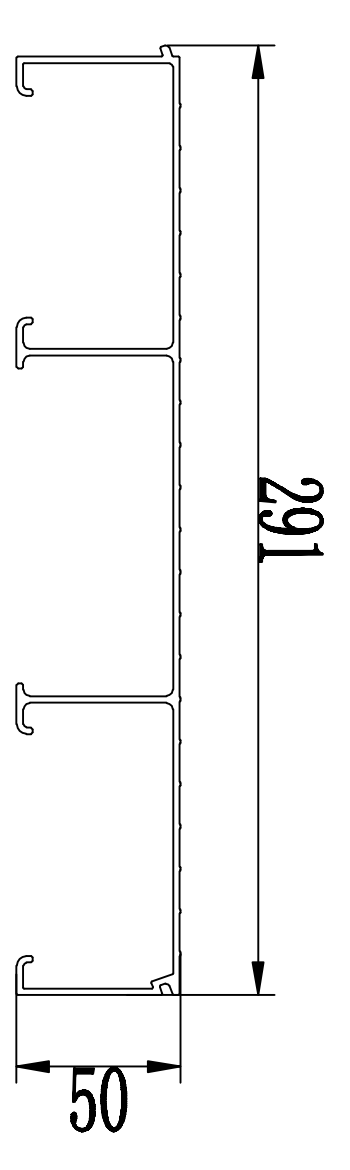
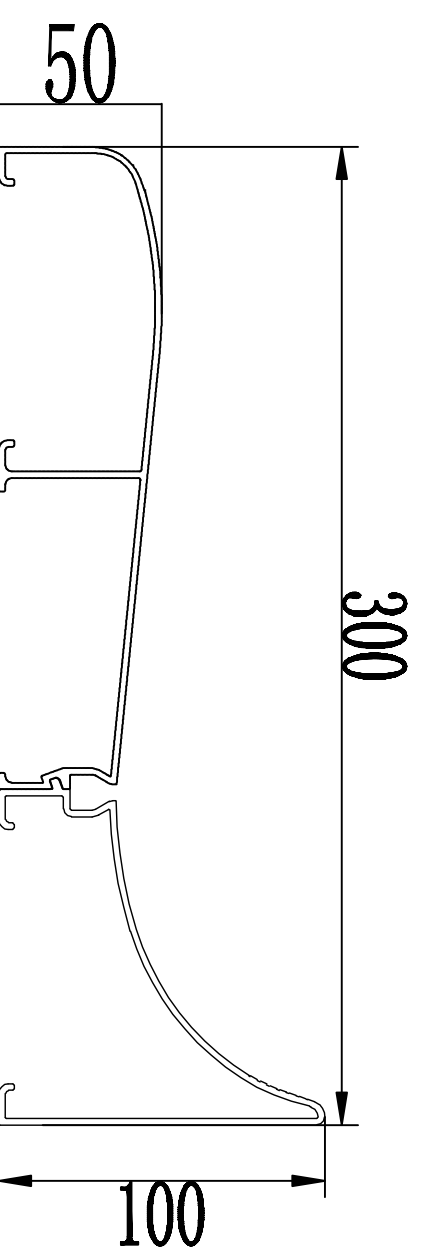
Side view AA

UNIT: mm

FOOT PLANK	1	397*50*2 Aluminum alloy			
	2	291*50*2 Aluminum alloy			
	3	250*50*2 Aluminum alloy			
	4	250*38*2 Aluminum alloy			
Live Load		2.81 kn/m ²			
		2.06 kn/m ²			
		1.77 kn/m ²			
		1.01 kn/m ²			
advice	choose	★★	★★★★★	★★★★★	No

Seat model optional

1	SEAT PLANK	Live Load	advice	choose
1	300*50*100 Aluminum alloy	2.13 kn/m ²	★★★★	
2	291*50*2 Aluminum alloy	1.98 kn/m ²	★★★★★	
3	250*50*2 Aluminum alloy	1.77 kn/m ²	★★★★	
4	250*38*2 Aluminum alloy	1.01 kn/m ²	No	
5	300*450*100 HDPE	1.76 kn/m ²	★★	
6	410*417*175 HDPE	1.76 kn/m ²	No	
7	450*410*330 HDPE	1.76 kn/m ²	No	



SCALE 1:100
 DATE 2020/7/27
 DESIGN Mr. Lau
 CHECK Mr. Cheung
 ID 3F-W650-F291-S300-B250
 https://www.mountainbleacher.com
 Tel: 008618879222225, 008615070297138
 E-mail: dong@mountainbleacher.com
 NO. 1