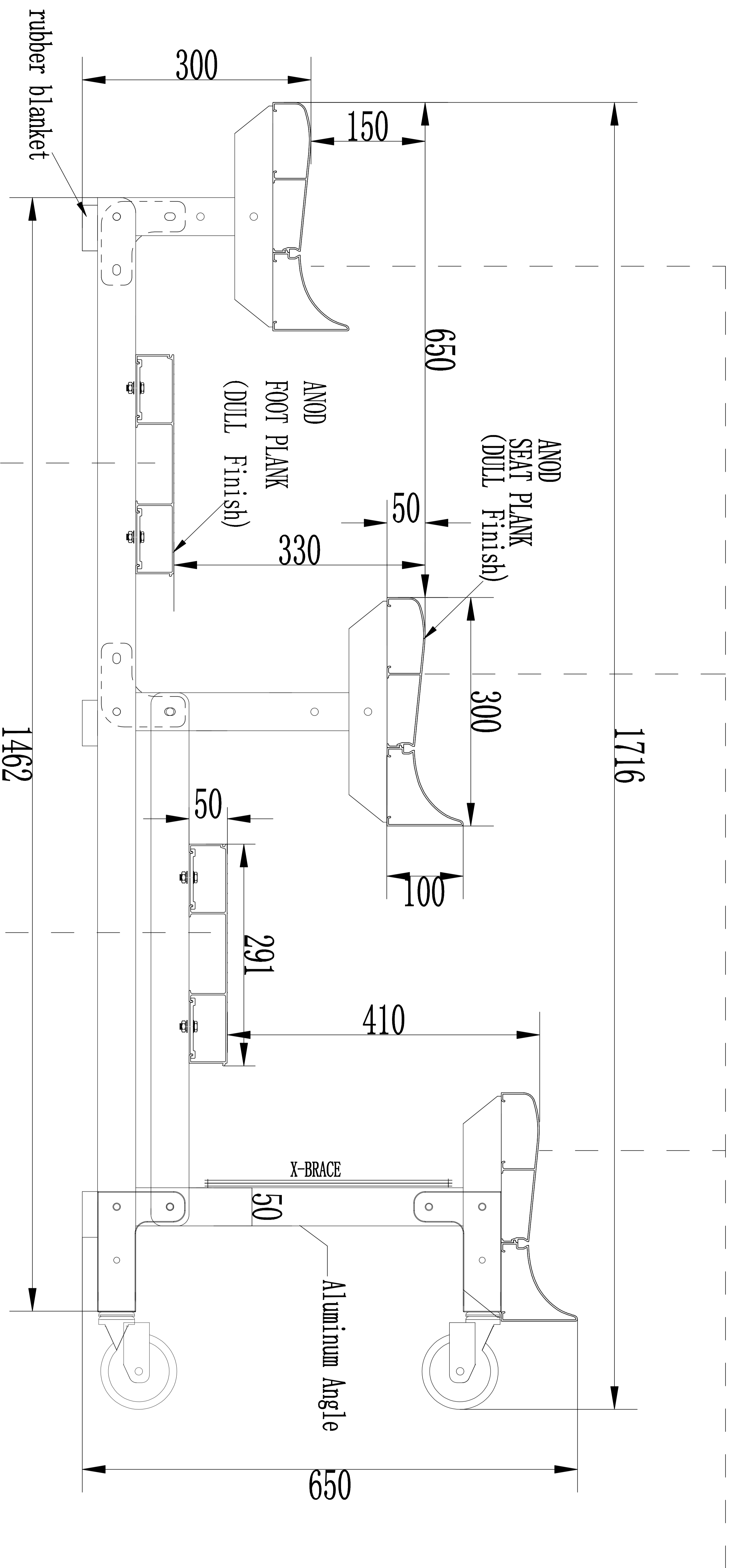


Size table	S	M	L	XL
Row Spacing	650mm	700mm	750mm	800mm



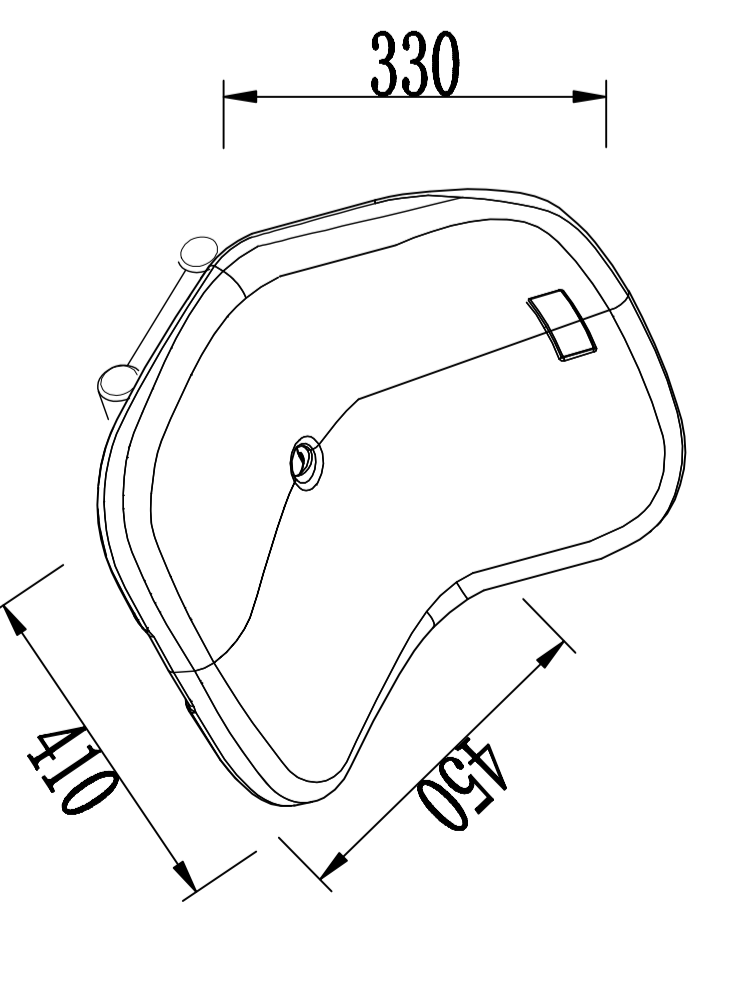
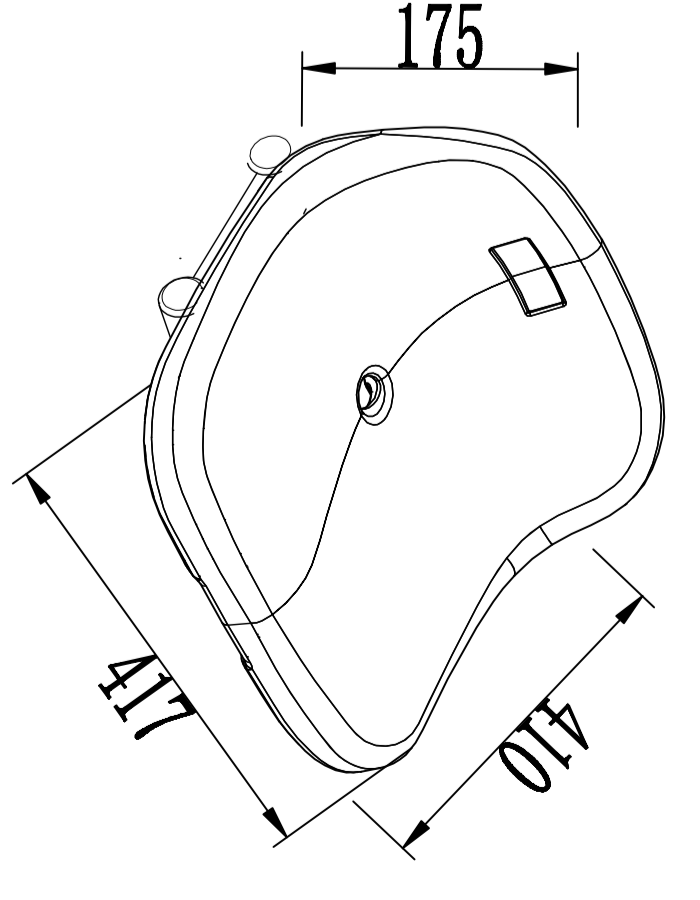
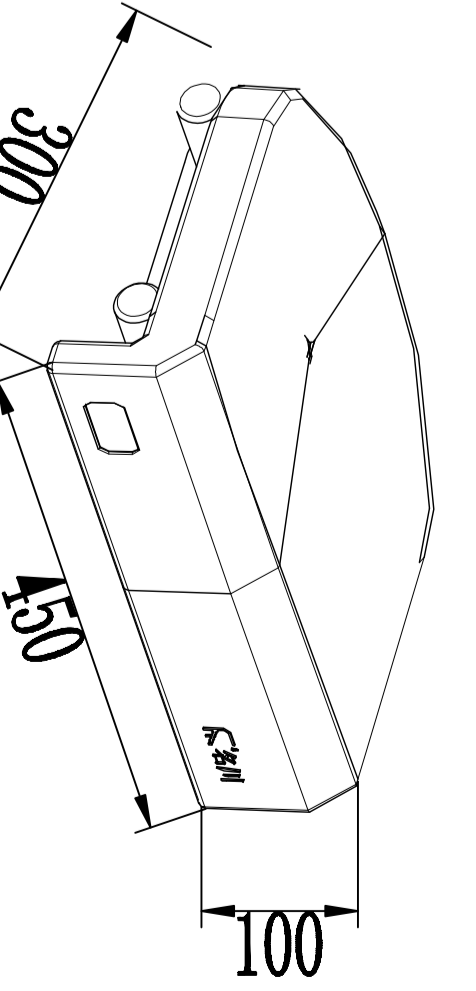
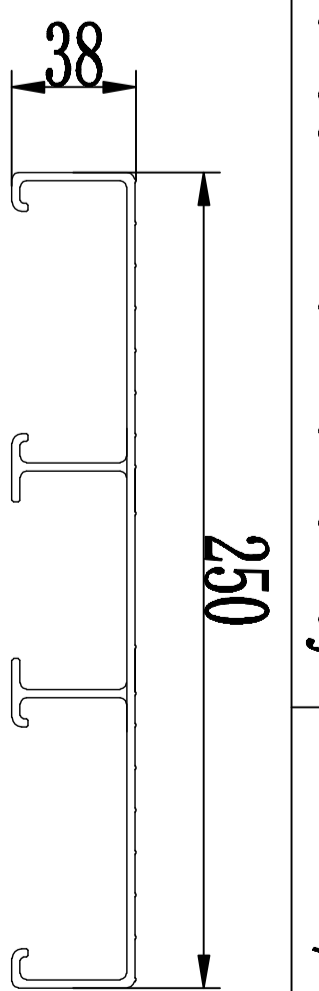
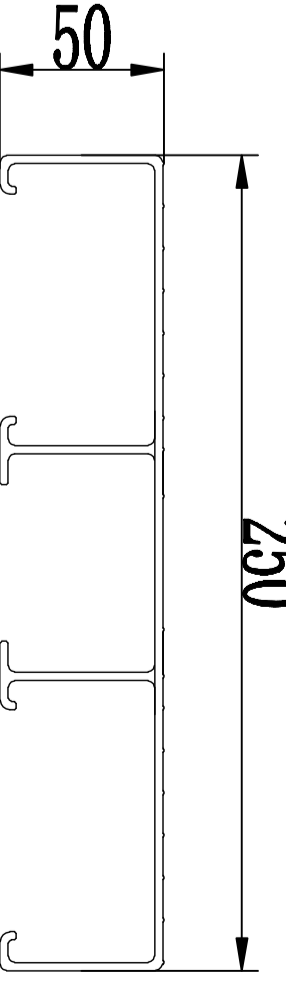
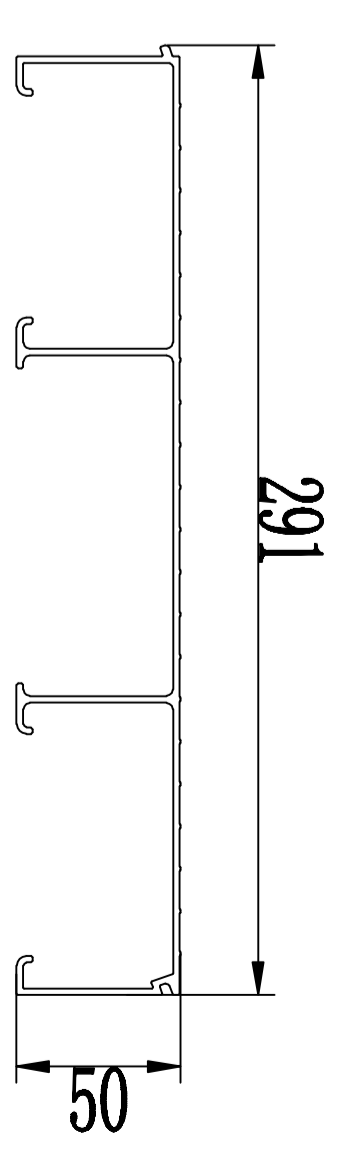
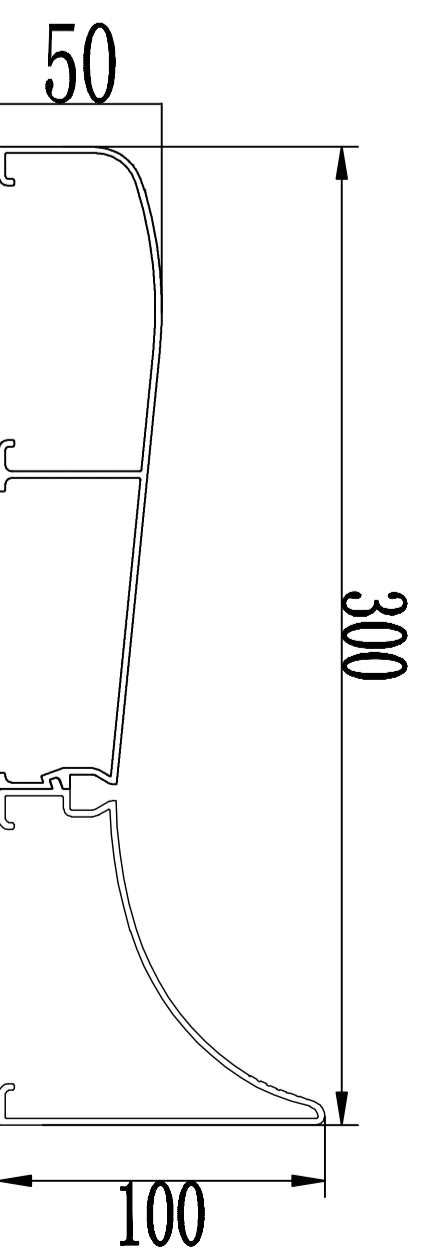
Side view AA

UNIT: mm

FOOT PLANK	1	397*50*2 Aluminum alloy	2	291*50*2 Aluminum alloy	3	250*50*2 Aluminum alloy	4	250*38*2 Aluminum alloy
	Live Load	2.81 kn/m ²		2.06 kn/m ²		1.77 kn/m ²		1.01 kn/m ²
	advice	★★		★★★★★		★★★★★		No

Seat model optional

1	SEAT PLANK	Live Load	advice	choose
1	300*50*100 Aluminum alloy	2.13 kn/m ²	★★★★	
2	291*50*2 Aluminum alloy	1.98 kn/m ²	★★★★★	
3	250*50*2 Aluminum alloy	1.77 kn/m ²	★★★★	
4	250*38*2 Aluminum alloy	1.01 kn/m ²	No	
5	300*450*100 HDPE	1.76 kn/m ²	★★	
6	410*417*175 HDPE	1.76 kn/m ²	No	
7	450*410*330 HDPE	1.76 kn/m ²	No	



SCALE	1:100	ID	3F-W650-F291-S300
DATE	2020/7/27	PROOF	https://www.mountainbleacher.com
DESIGN	Mr. Lau		Tel: 00861887922225, 008615070297138
CHECK	Mr. Cheung		E-mail: dong@mountainbleacher.com
TITLE		NO.	1